



TH	THAILAND
----	----------

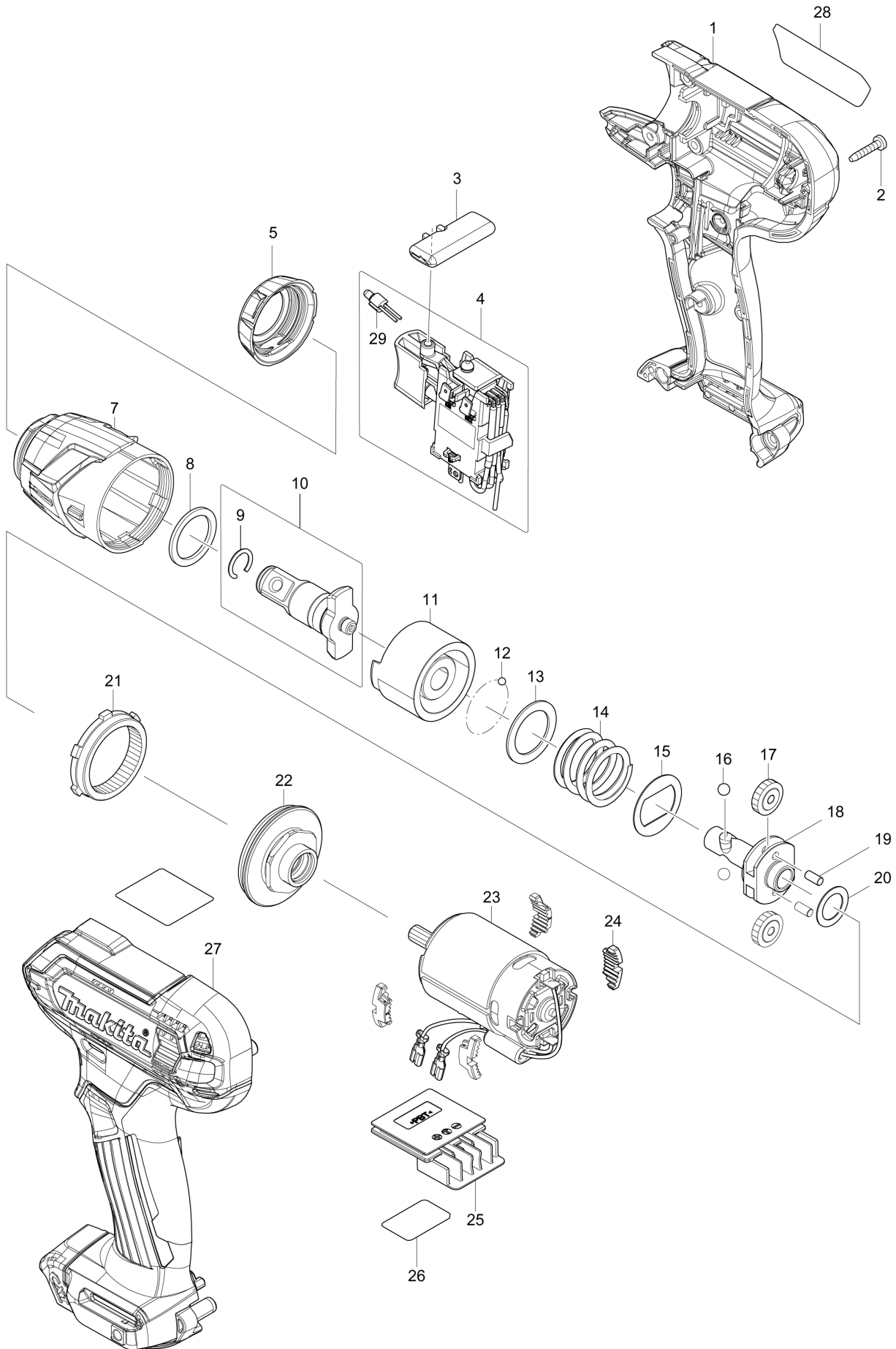
# Diagram / Parts List

**TW141D**

**CORDLESS IMPACT WRENCH**



(TH) TW141D / CORDLESS IMPACT WRENCH



<b>TH</b>	<b>THAILAND</b>
-----------	-----------------

**TW141D / CORDLESS IMPACT WRENCH**

Item	Sub	Parts No.	Parts Description	Qty	I/C	E/C No.	Close No.	Remark
001		183J75-5	HOUSING SET	1				
	C10	252126-6	HEX. LOCK NUT M4-7	2				
	D10		INC. 27					
002		266429-2	TAPPING SCREW 3X16	8				
003		456039-5	F/R CHANGE LEVER	1				
004		632M06-4	SWITCH UNIT	1				
	D10		INC. 29					
005		422407-4	BUMPER	1				
007		140D36-2	HAMMER CASE COMPLETE	1				
	C10	213882-3	O-RING 16	1				
008		261140-1	NYLON WASHER 20	1				
009		231907-1	RING SPRING 10	1				
010		136030-6	ANVIL E ASSY	1				
	D10		INC. 9					
011		327334-9	HAMMER	1				
012		216019-1	STEEL BALL 3	24				
013		267380-9	FLAT WASHER 20	1				
014		232517-7	COMPRESSION SPRING 21	1				
015		267813-4	WASHER 21	1				
016		216002-8	STEEL BALL 4.8	2				
017		226190-3	SPUR GEAR 18	2				
018		327127-4	SPINDLE	1				
019		268217-3	PIN 3.5	2				
020		253052-2	FLAT WASHER 12	1				
021		226191-1	INTERNAL GEAR 45	1			C9084	
021-1		226957-9	INTERNAL GEAR 45	1	S	C9084		
022		140B04-3	BEARING BOX COMPLETE	1			C9084	
	C10	213188-9	O-RING 13	1			C9084	
022-1		140P27-5	BEARING BOX COMPLETE	1	S	C9084		
	C10	213188-9	O-RING 13	1		C9084		
023		632L96-1	MOTOR COMPLETE	1				
024		422273-9	CUSHION	4				
025		644813-5	TERMINAL	1				
026		855S57-8	TW141D SERIAL NO. LABEL	1				
027		183J75-5	HOUSING SET	1				
	C10	252126-6	HEX. LOCK NUT M4-7	2				
	D10		INC. 1					
028		855S50-2	TW141D NAME PLATE	1				
029		620625-0	LED CIRCUIT	1				
031		213458-6	O RING 34	1	S	C9084		
A01		266622-8	+ TRUSS HEAD SCREW M4X12	1				
A02		346909-5	HOOK	1				
A03B		821661-1	PLASTIC CARRYING CASE	1				
	C10	417724-5	LATCH	2				
A04B		***DC10WD	DC10WD BATTERY CHARGER	1				
	D10		COMPO-PARTS					
A05B		199291-9	BATTERY BL1016 SET	2			D0163	
A05-1B		199291-9	BATTERY BL1016 SET	2	<	D0163		
A06B		456128-6	BATTERY COVER	1				

B:TW141DWYE(H)

Interchange  
O : Yes  
X : No  
< : the new part can be substituted for the current.  
> : the current part can be substituted for the new.  
S : Interchangeable as a set.