



TH	THAILAND
----	----------

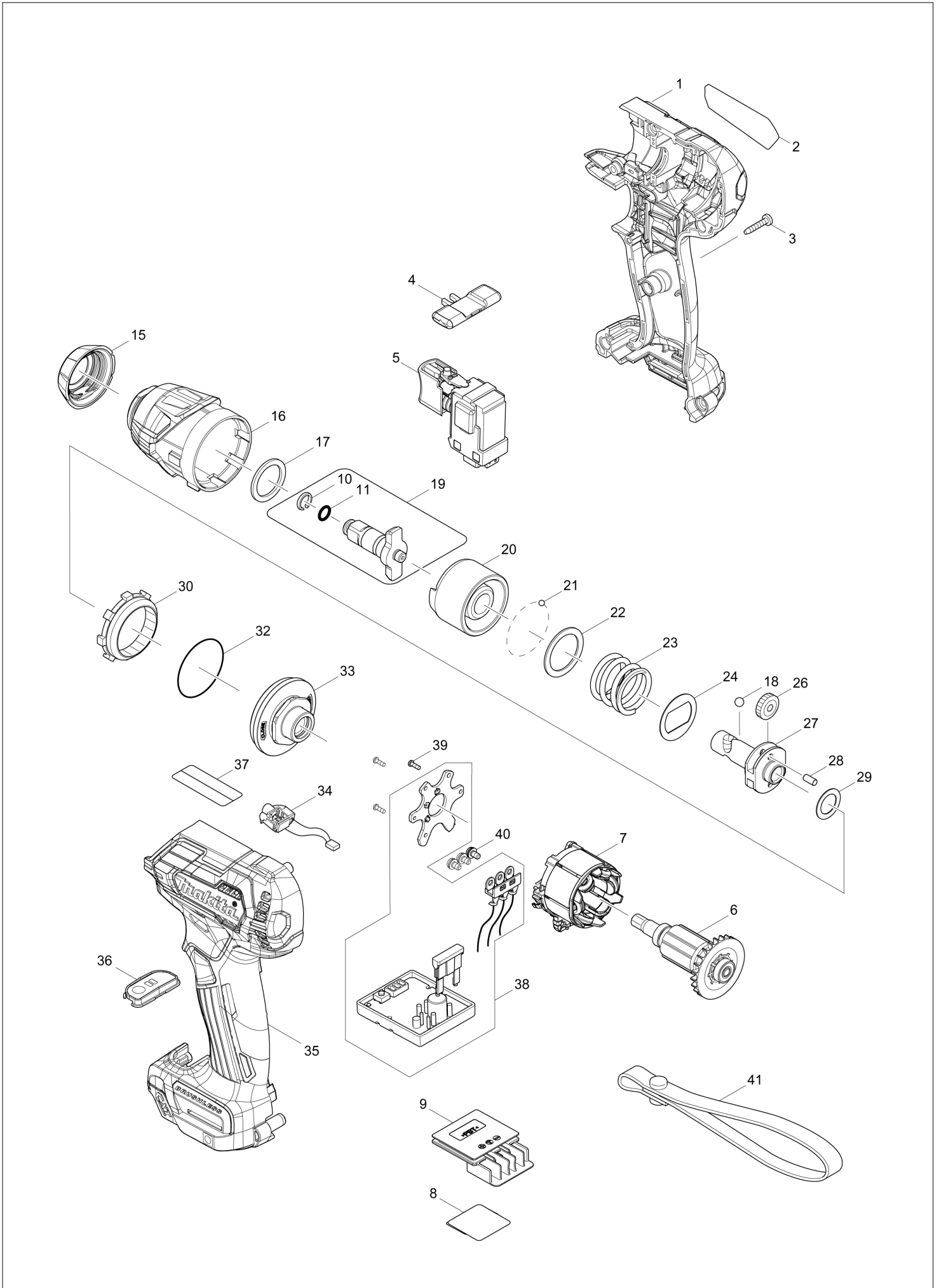
Diagram / Parts List

TW160D

CORDLESS IMPACT WRENCH



(TH) TW160D / CORDLESS IMPACT WRENCH



TH	THAILAND
-----------	-----------------

TW160D / CORDLESS IMPACT WRENCH

Item	Sub	Parts No.	Parts Description	Qty	I/C	E/C No.	Close No.	Remark
001		183L31-7	HOUSING SET	1				
	C10	263002-9	RUBBER PIN 4	2				
	C20	252126-6	HEX. LOCK NUT M4-7	2				
	D10		INC. 35					
002		855L57-6	TW160D NAME PLATE	1				
003		266429-2	TAPPING SCREW 3X16	9				
004		455053-8	F/R CHANGE LEVER	1				
005		143975-1	SWITCH COMPLETE	1				
	C10	424890-1	SWITCH COVER	1				
006		619491-0	ROTOR	1			D0256	
006-1		619491-0	ROTOR	1	O	D0256		
007		629398-2	STATOR	1				
008		855L63-1	TW160D SERIAL NO. LABEL	1				
009		644813-5	TERMINAL	1				
010		233943-3	RING SPRING 8	1				
011		213960-9	O RING 5	1				
015		422228-4	BUMPER	1				
016		140G53-0	HAMMER CASE COMPLETE	1				
	C10	213166-9	O RING 12.5	1				
017		261159-0	NYLON WASHER 19	1				
018		216002-8	STEEL BALL 4.8	2				
019		135932-3	ANVIL ASS'Y	1				
	D10		INC. 10,11					
020		327045-6	HAMMER	1				
021		216019-1	STEEL BALL 3	24				
022		267352-4	FLAT WASHER 22	1				
023		232410-5	COMPRESSION SPRING 21	1				
024		267813-4	WASHER 21	1				
026		227213-0	SPUR GEAR 17	2				
027		327046-4	SPINDLE	1				
028		268217-3	PIN 3.5	2				
029		253052-2	FLAT WASHER 12	1				
030		227316-0	INTERNAL GEAR 43	1				
032		213479-8	O RING 33	1				
033		140G75-0	BEARING BOX COMPLETE	1				
	C10	213845-9	O-RING 13	1				
034		620999-9	LED CIRCUIT	1				
035		183L31-7	HOUSING SET	1				
	C10	263002-9	RUBBER PIN 4	2				
	C20	252126-6	HEX. LOCK NUT M4-7	2				
	D10		INC. 1					
036		140G52-2	SWITCH PLATE COMPLETE	1				
038		620998-1	CONTROLLER	1				
039		266490-9	TAPPING SCREW PT 2X6	3				
040		652069-6	FLAT HEAD SCREW M3X6	3				
A01		266622-8	+ TRUSS HEAD SCREW M4X12	1				
A02		346909-5	HOOK	1				
A03B		821661-1	PLASTIC CARRYING CASE	1				
	C10	417724-5	LATCH	2				
A03C		821661-1	PLASTIC CARRYING CASE	1				
	C10	417724-5	LATCH	2				
A03D		821661-1	PLASTIC CARRYING CASE	1				
	C10	417724-5	LATCH	2				
A03E		821661-1	PLASTIC CARRYING CASE	1				
	C10	417724-5	LATCH	2				
A03F		821661-1	PLASTIC CARRYING CASE	1				
	C10	417724-5	LATCH	2				
A03G		821661-1	PLASTIC CARRYING CASE	1				
	C10	417724-5	LATCH	2				
A07B		***DC10SB	DC10SB BATTERY CHARGER	1				
	D10		COMPO-PARTS					
A07C		***DC10SB	DC10SB BATTERY CHARGER	1				
	D10		COMPO-PARTS					
A07D		***DC10SB	DC10SB BATTERY CHARGER	1				
	D10		COMPO-PARTS					

B:TW160DSYE(H)
 C:TW160DSAE(H)
 D:TW160DSME(H)
 E:TW160DWAE(H)
 F:TW160DWME(H)
 G:TW160DWYE(H)

Interchange
 O : Yes
 X : No
 < : the new part can be substituted for the current.
 > : the current part can be substituted for the new.
 S : Interchangeable as a set.

