



| | |
|----|----------|
| TH | THAILAND |
|----|----------|

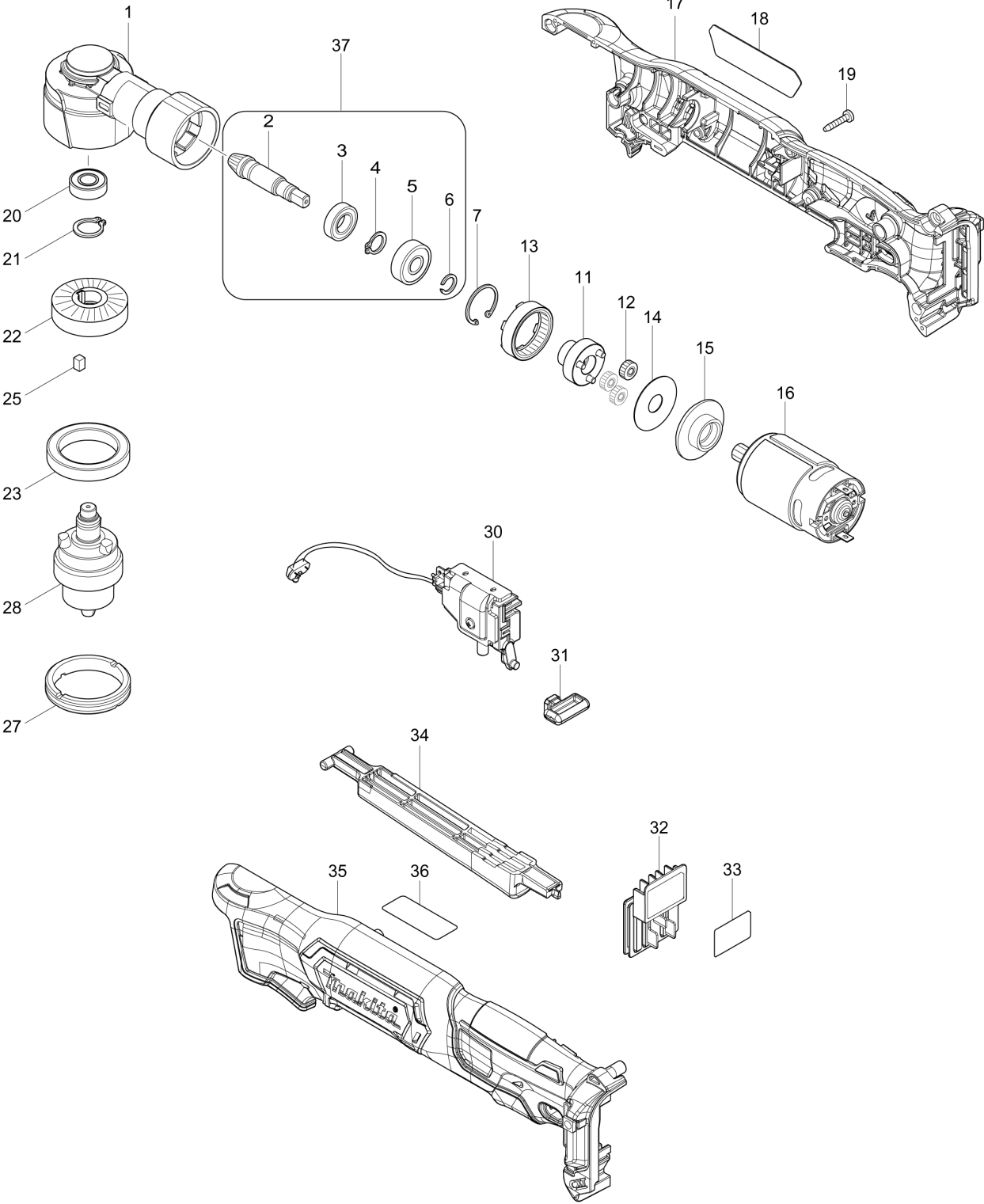
Diagram / Parts List

DA332D

10MM CORDLESS ANGLE DRILL



(TH) DA332D / 10MM CORDLESS ANGLE DRILL



| | |
|----|----------|
| TH | THAILAND |
|----|----------|

DA332D / 10MM CORDLESS ANGLE DRILL

| Item | Sub | Parts No. | Parts Description | Qty | I/C | E/C No. | Close No. | Remark |
|--------|-----|-----------|----------------------------|-----|-----|---------|-----------|--------|
| 001 | | 319634-1 | GEAR HOUSING | 1 | | | | |
| 002 | | 221570-8 | SPIRAL BEVEL GEAR 6 | 1 | | | C1766 | |
| 002-1 | | 226195-3 | SPIRAL BEVEL GEAR 6 | 1 | S | C1766 | | |
| 003 | | 210171-7 | BALL BEARING 6800ZZ | 1 | | | | |
| 004 | | 961006-2 | RETAINING RING S-10 | 1 | | | | |
| 005 | | 210029-0 | BALL BEARING 608ZZ | 1 | | | | |
| 006 | | 961034-7 | RETAINING RING | 1 | | | | |
| 007 | | 962102-9 | RETAINING RING R-22 | 1 | | | | |
| 011 | | 144701-1 | CARRIER COMPLETE | 1 | | | | |
| 012 | | 221572-4 | SPUR GEAR 17 | 3 | | | | |
| 013 | | 221569-3 | INTERNAL GEAR 48 | 1 | | | | |
| 014 | | 253396-0 | FLAT WASHER 10 | 1 | | | | |
| 015 | | 457972-4 | MOTOR BRACKET | 1 | | | | |
| 016 | | 629289-7 | DC MOTOR | 1 | | | | |
| 017 | | 183H38-9 | HOUSING SET | 1 | | | | |
| | C10 | 252126-6 | HEX. LOCK NUT M4-7 | 2 | | | | |
| | D10 | | INC. 35 | | | | | |
| 018 | | 853T44-7 | DA332D NAME PLATE | 1 | | | | |
| 019 | | 266130-9 | TAPPING SCREW BIND PT 3X16 | 9 | | | | |
| 020 | | 211166-3 | BALL BEARING 698DDW | 1 | | | | |
| 021 | | 961052-5 | RETAINING RING S-12 | 1 | | | | |
| 022 | | 227601-1 | SPIRAL BEVEL GEAR 31 | 1 | | | | |
| 023 | | 211423-9 | BALL BEARING 6806DDW | 1 | | | | |
| 025 | | 254201-4 | KEY 4 | 1 | | | | |
| 027 | | 285842-5 | BEARING RETAINER 36-43 | 1 | | | | |
| 028 | | 763245-8 | DRILL CHUCK S10 | 1 | | | | |
| 030 | | 651097-8 | SWITCH C3HW-3A-PLF5MS-W | 1 | | | | |
| 031 | | 450126-2 | FR CHANGE LEVER | 1 | | | | |
| 032 | | 644813-5 | TERMINAL | 1 | | | | |
| 033 | | 853T61-7 | DA332D SERIAL NO. LABEL | 1 | | | | |
| 034 | | 457973-2 | SWITCH LEVER | 1 | | | | |
| 035 | | 183H38-9 | HOUSING SET | 1 | | | | |
| | C10 | 252126-6 | HEX. LOCK NUT M4-7 | 2 | | | | |
| | D10 | | INC. 17 | | | | | |
| 037 | | 135922-6 | GEAR ASSEMBLY | 1 | | | C0461 | |
| | D10 | | INC. 2-6 | | | | C0461 | |
| 037-1 | | 135922-6 | GEAR ASSEMBLY | 1 | O | C0461 | C1766 | |
| | D10 | | INC. 2-6,38 | | | C0461 | C1766 | |
| 037-2 | | 135977-1 | GEAR ASS'Y | 1 | O | C1766 | | |
| | D10 | | INC. 2-6 | | | C1766 | | |
| 038 | | 253310-6 | THIN WASHER 10 | 1 | | C0461 | C1766 | |
| A01 | | 784244-7 | + BIT 2-50 | 1 | | | | |
| A02 | | 346909-5 | HOOK | 1 | | | | |
| A03 | | 251314-2 | + SCREW M4X12 | 2 | | | | |
| A04 | | 763450-7 | CHUCK KEY S10 | 1 | | | | |
| A05 | | 457974-0 | KEY HOLDER | 1 | | | | |
| A06B | | ***DC10WD | DC10WD BATTERY CHARGER | 1 | | | | |
| A06C | | ***DC10WD | DC10WD BATTERY CHARGER | 1 | | | | |
| A06D | | ***DC10WD | DC10WD BATTERY CHARGER | 1 | | | | |
| A07B | | 197393-5 | BATTERY BL1016 SET | 2 | | | C2691 | |
| A07C | | 197396-9 | BATTERY BL1021B SET | 2 | | | C2801 | |
| A07D | | 197406-2 | BATTERY BL1041B SET | 2 | | | C2801 | |
| A07-1B | | 199291-9 | BATTERY BL1016 SET | 2 | < | C2691 | D0163 | |
| A07-1C | | 199290-1 | BATTERY BL1021B SET | 2 | < | C2801 | D0164 | |
| A07-1D | | 199289-6 | BATTERY BL1041B SET | 2 | < | C2801 | D0165 | |
| A07-2B | | 199291-9 | BATTERY BL1016 SET | 2 | < | | D0163 | |
| A07-2C | | 199290-1 | BATTERY BL1021B SET | 2 | < | | D0164 | |
| A07-2D | | 199289-6 | BATTERY BL1041B SET | 2 | < | | D0165 | |
| A08B | | 456128-6 | BATTERY COVER | 1 | | | | |
| A08C | | 456128-6 | BATTERY COVER | 1 | | | | |
| A08D | | 456128-6 | BATTERY COVER | 1 | | | | |
| A09B | | 821723-5 | PLASTIC CARRYING CASE | 1 | | | | |
| | C10 | 162315-4 | LATCH | 2 | | | | |
| A09C | | 821723-5 | PLASTIC CARRYING CASE | 1 | | | | |
| | C10 | 162315-4 | LATCH | 2 | | | | |

B:DA332DWYE(H)
C:DA332DWAE(H)
D:DA332DWME(H)

Interchange
O : Yes
X : No
< : the new part can be substituted for the current.
> : the current part can be substituted for the new.
S : Interchangeable as a set.

