



TH	THAILAND
----	----------

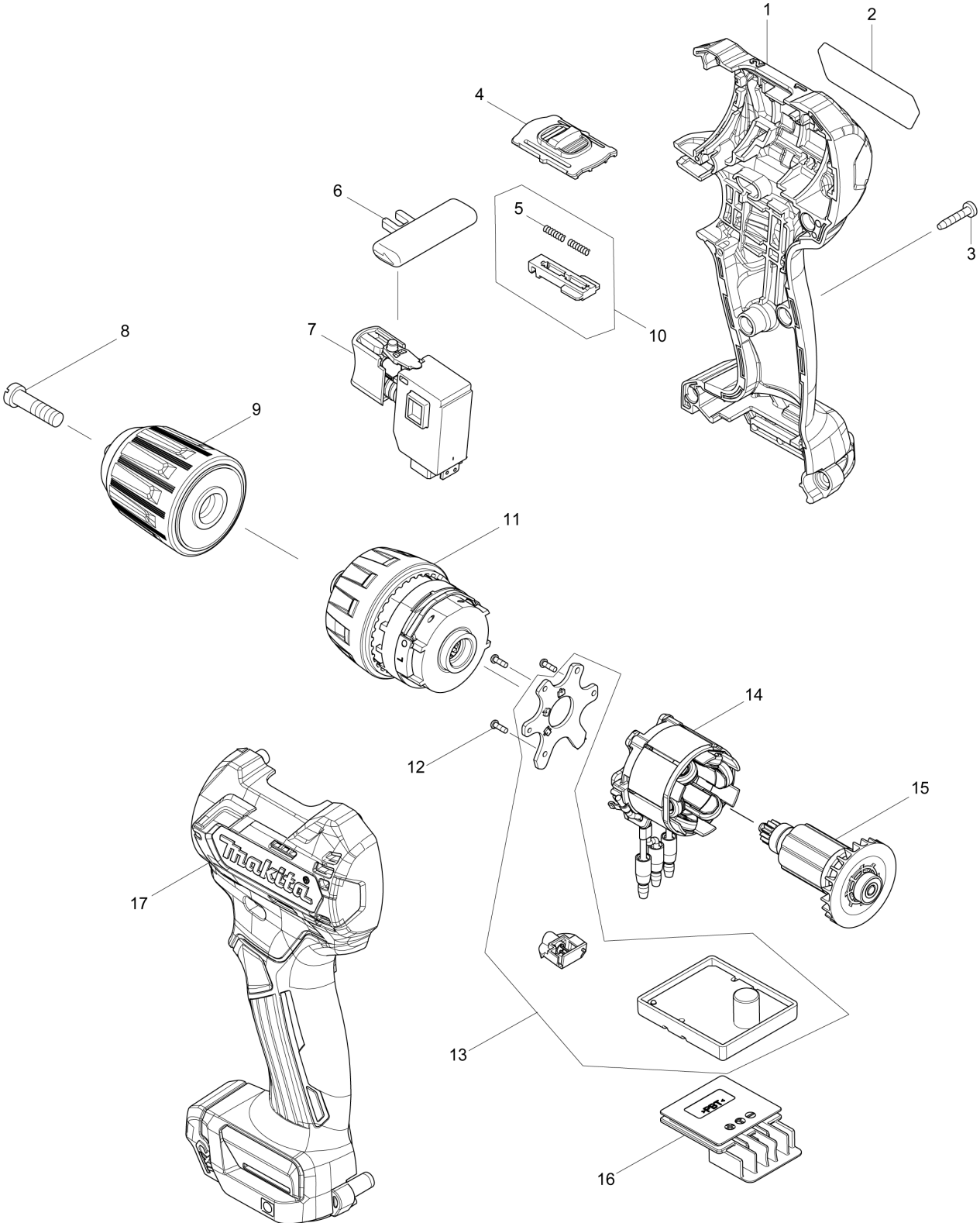
Diagram / Parts List

DF332D

CORDLESS DRIVER DRILL



(TH) DF332D / CORDLESS DRIVER DRILL



TH	THAILAND
-----------	-----------------

DF332D / CORDLESS DRIVER DRILL

Item	Sub	Parts No.	Parts Description	Qty	I/C	E/C No.	Close No.	Remark
001		183C34-7	HOUSING SET	1				
	D10		INC. 17					
002		851T91-2	DF332D NAME PLATE	1			Y07746	
002-1		851T90-4	DF332D NAME PLATE	1	<	Y07746		
003		266429-2	TAPPING SCREW 3X16	8				
004		456532-9	SPEED CHANGE LEVER	1				
005		233025-1	COMPRESSION SPRING 2	2				
006		419041-9	F/R CHANGE LEVER	1				
007		650689-0	SWITCH C3JW-2B	1				
008		251468-5	- FLAT HEAD SCREW M6X22	1				
009		763238-5	KEYLESS DRILL CHUCK 10	1				
010		123587-6	CHANGE LEVER ASS'Y	1				
	D10		INC. 5					
011A		123549-4	GEAR ASSEMBLY	1			B4380	
011B		123549-4	GEAR ASSEMBLY	1			B4380	
011-1A		123868-8	GEAR ASSEMBLY	1	O	B4380	D7899	
011-1B		123868-8	GEAR ASSEMBLY	1	O	B4380	D7899	
011-1C		123868-8	GEAR ASSEMBLY	1			D7899	
011-1D		123868-8	GEAR ASSEMBLY	1			D7899	
011-2		123868-8	GEAR ASSEMBLY	1	O	D7899		
012		266490-9	TAPPING SCREW PT 2X6	3				
013A		620487-6	CONTROLLER	1			B2645	
013B		620487-6	CONTROLLER	1			B2645	
013-1A		620487-6	CONTROLLER	1	O	B2645	D1154	
	C10	620553-9	LED CIRCUIT	1		B2645	D1154	
013-1B		620487-6	CONTROLLER	1	O	B2645	D1154	
	C10	620553-9	LED CIRCUIT	1		B2645	D1154	
013-1C		620487-6	CONTROLLER	1			D1154	
	C10	620553-9	LED CIRCUIT	1			D1154	
013-1D		620487-6	CONTROLLER	1			D1154	
	C10	620553-9	LED CIRCUIT	1			D1154	
013-2		620B33-7	CONTROLLER	1	<	D1154		
	C10	620553-9	LED CIRCUIT	1		D1154		
014		629178-6	STATOR	1				
015A		619393-0	ROTOR	1			B5873	
015B		619393-0	ROTOR	1			B5873	
015C		619393-0	ROTOR	1			B5873	
015-1A		619410-6	ROTOR	1	O	B5873	D0256	
015-1B		619410-6	ROTOR	1	O	B5873	D0256	
015-1C		619410-6	ROTOR	1	O	B5873	D0256	
015-1D		619410-6	ROTOR	1			D0256	
015-2		619410-6	ROTOR	1	O	D0256		
016		644813-5	TERMINAL	1				
017		183C34-7	HOUSING SET	1				
	D10		INC. 1					
A01		251314-2	+ SCREW M4X12	1				
A02		346909-5	HOOK	1				
A03		784202-3	PHILLIPS BIT 2-45	1			DC711	
A03-1		784043-7	+BIT 2-45	1	O	DC711		
A04B		456128-6	BATTERY COVER	1				
A04C		456128-6	BATTERY COVER	1				
A04D		456128-6	BATTERY COVER	1				
A05B		***DC10WD	DC10WD BATTERY CHARGER	1				
	D10		COMPO-PARTS					
A05C		***DC10WD	DC10WD BATTERY CHARGER	1				
	D10		COMPO-PARTS					
A05D		***DC10WD	DC10WD BATTERY CHARGER	1				
	D10		COMPO-PARTS					
A06B		197406-2	BATTERY BL1041B SET	2			C2801	
A06C		197396-9	BATTERY BL1021B SET	2			C2801	
A06D		197393-5	BATTERY BL1016 SET	2			C2691	
A06-1B		199289-6	BATTERY BL1041B SET	2	<	C2801	D0165	
A06-1C		199290-1	BATTERY BL1021B SET	2	<	C2801	D0164	
A06-1D		199291-9	BATTERY BL1016 SET	2	<	C2691	D0163	
A06-2B		199289-6	BATTERY BL1041B SET	2	<	D0165		

A:DF332DZ(N)
 B:DF332DWME(H)
 C:DF332DWAE(H)
 D:DF332DWYE(H)

Interchange
 O : Yes
 X : No
 < : the new part can be substituted for the current.
 > : the current part can be substituted for the new.
 S : Interchangeable as a set.

