



TH	THAILAND
----	----------

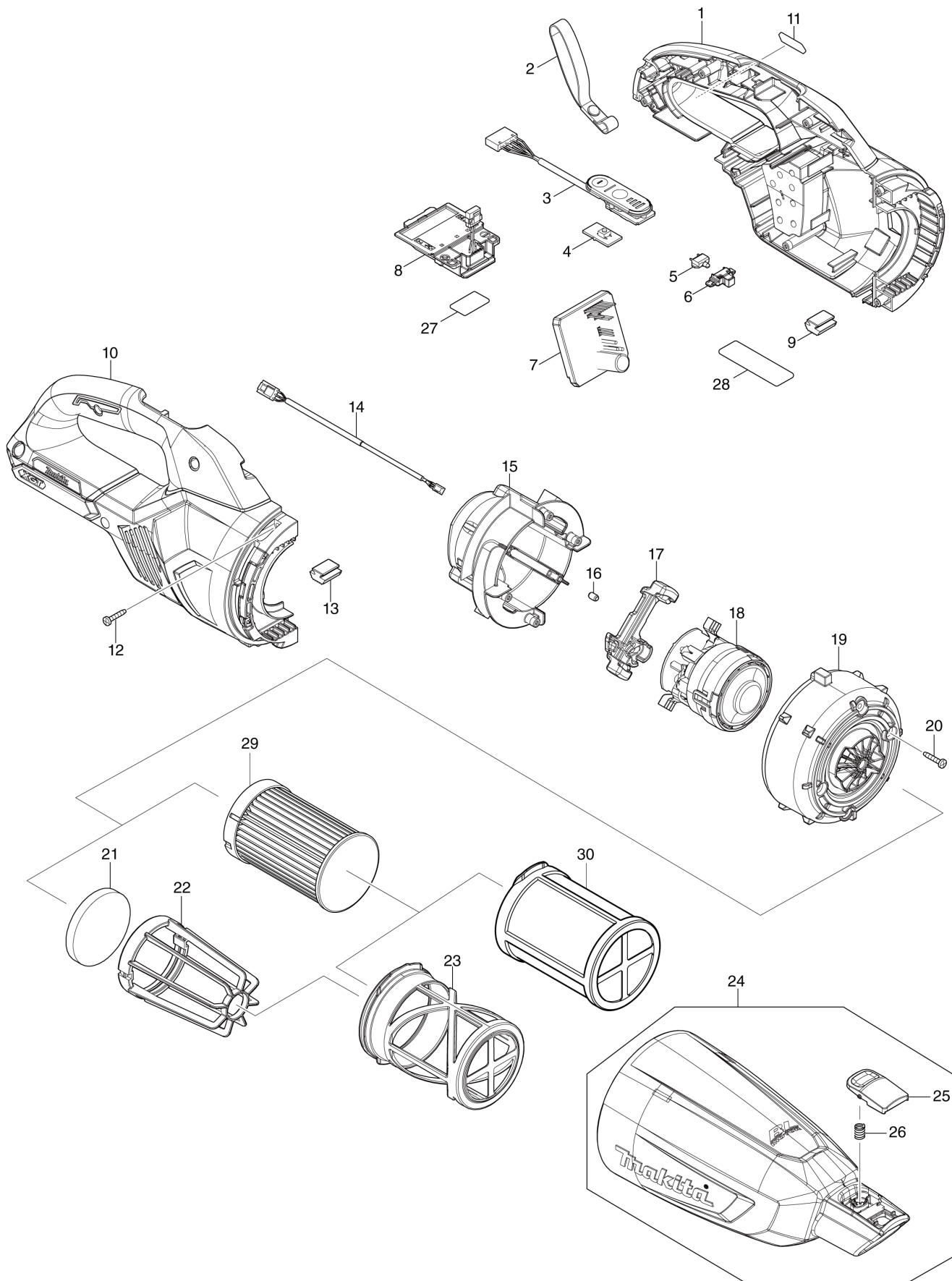
# Diagram / Parts List

**CL001G**

**CORDLESS CLEANER**



(TH) CL001G / CORDLESS CLEANER



<b>TH</b>	<b>THAILAND</b>
-----------	-----------------

### CL001G / CORDLESS CLEANER

Item	Sub	Parts No.	Parts Description	Qty	I/C	E/C No.	Close No.	Remark
001A		183T43-8	HOUSING SET	1				
001B		183T18-7	HOUSING SET	1				
001C		183T42-0	HOUSING SET	1				
	C10	263005-3	RUBBER PIN 6	2				
	C20	422714-5	SPONGE SEAT	2				
	D10		INC. 9,10,13					
002A		163400-6	HANDSTRAP	1		DB918		
002B		163400-6	HANDSTRAP	1		DB918		
002C		163400-6	HANDSTRAP	1				
003		141B54-1	INDICATION CIRCUIT COMPLETE	1				
	C10	8031J2-9	SWITCH LABEL	1				
004		620E74-1	SWITCH UNIT	1				
005		620E82-2	LED CIRCUIT	1				
006		459478-8	LENS CASE	1			DD995	
006-1		141H09-2	LED CASE COMPLETE	1	O	DD995		
007		620E72-5	CONTROLLER	1				
008		632P65-6	TERMINAL UNIT	1				
009		422460-0	RUBBER PLATE	1				
010A		183T43-8	HOUSING SET	1				
010B		183T18-7	HOUSING SET	1				
010C		183T42-0	HOUSING SET	1				
	C10	263005-3	RUBBER PIN 6	2				
	C20	422714-5	SPONGE SEAT	2				
	D10		INC. 1,9,13					
011		8005T5-8	XGT LOGO LABEL	1				
012		266429-2	TAPPING SCREW 3X16	7				
013		422460-0	RUBBER PLATE	1				
014		632S32-9	LEAD UNIT	1				
015		141E55-7	MOTOR COVER R COMPLETE	1				
	D10		INC. 16					
016		263002-9	RUBBER PIN 4	4				
017		422723-4	MOTOR COVER SEAL	1				
018		629A46-9	MOTOR ASSEMBLY	1				
019		413645-9	MOTOR COVER F	1				
020		266429-2	TAPPING SCREW 3X16	4				
021C		422268-2	SPONGE SHEET 57	1				
022C		458467-0	STAY	1				
023C		459325-3	EASY SHAKE OFF FILTER B	1				
024A		136449-9	CAPSULE ASSY	1			DD995	
024B		136400-9	CAPSULE ASS'Y	1			DD995	
024C		136448-1	CAPSULE ASSY	1			DD995	
	C10	266326-2	TAPPING SCREW 4X18	1			DD995	
	C20	941051-3	FLAT WASHER 4	1			DD995	
	C30	424208-6	VALVE	1			DD995	
	D10		INC. 25,26				DD995	
024-1A		136656-4	CAPSULE ASS'Y	1	O	DD995		
024-1B		136653-0	CAPSULE ASS'Y	1	O	DD995		
024-1C		136655-6	CAPSULE ASS'Y	1	O	DD995		
	C10	266326-2	TAPPING SCREW 4X18	1			DD995	
	C20	941051-3	FLAT WASHER 4	1			DD995	
	C30	424208-6	VALVE	1			DD995	
	D10		INC. 25,26				DD995	
025		458939-5	BUTTON A	1			DD995	
025-1		413F33-6	BUTTON C	1	O	DD995		
026		232485-4	COMPRESSION SPRING 5	1				
027		811M37-8	CL001G SERIAL NO. LABEL	1				
028		811M30-2	CL001G NAME PLATE	1				
029A		199989-8	FILTER H SET	1				
029B		199989-8	FILTER H SET	1				
030A		198750-0	PRE FILTER SET	1				
030B		198750-0	PRE FILTER SET	1				
A01A		127828-2	NOZZLE ASSEMBLY	1				
A01B		127825-8	NOZZLE ASSEMBLY	1				
A01C		127827-4	NOZZLE ASSEMBLY	1				
A02A		413809-5	SASH NOZZLE	1				

A:CL001GZ05(N)  
 B:CL001GZ11(N)  
 C:CL001GZ(N)

Interchange  
 O : Yes  
 X : No  
 < : the new part can be substituted for the current.  
 > : the current part can be substituted for the new.  
 S : Interchangeable as a set.

