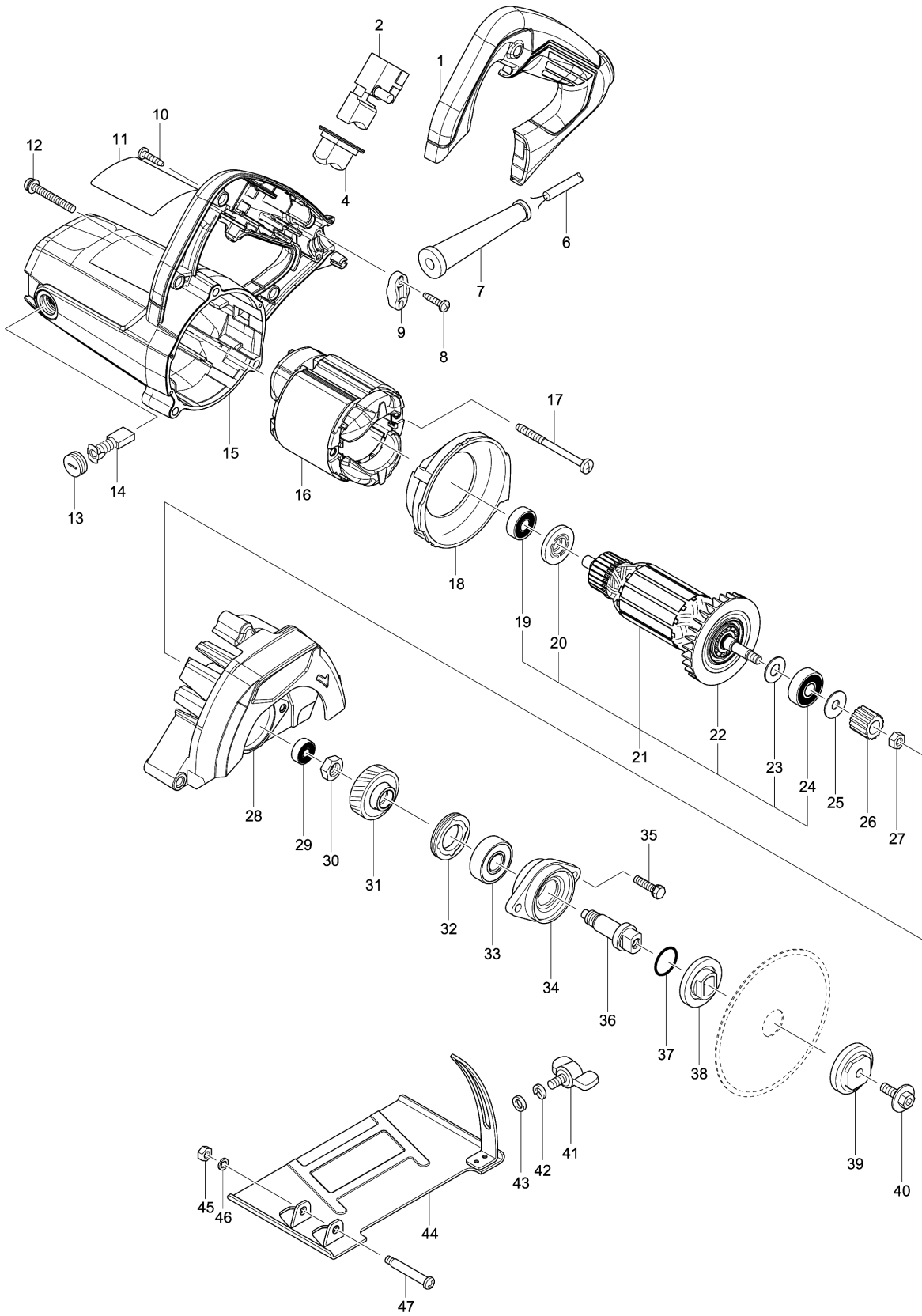


Model No.M4100 110MM CUTTER



Model No.M4100 110MM CUTTER

| รายการ | รหัสอะไหล่ | รายละเอียด | การ แลกเปลี่ยน | จำนวน | New/Old | ขาย | ซื้อ | ข้อความ |
|--------|------------|------------------------------|-------------------|-------|---------|-----|------|---------|
| 001 | 456488-6 | HANDLE COVER | | 1 | | | | |
| 002 | 650239-1 | SWITCH FA1-6/1B | | 1 | | | | |
| 004 | 421812-2 | DUST COVER | | 1 | | | | |
| 006 | 691284-7 | POWER SUPPLY CORD 0.75-2-2.0 | | 1 | | | | |
| 007-1 | 682106-2 | CORD GUARD | | 1 | | | | |
| 008-1 | 265652-6 | TAPPING SCREW 4X18 | | 2 | | | | |
| 009 | 687124-5 | STRAIN RELIEF | | 1 | | | | |
| 010-1 | 265652-6 | TAPPING SCREW 4X18 | | 4 | | | | |
| 011 | 852G81-0 | M4100 NAME PLATE | | 1 | | | | |
| 012 | 265104-7 | PAN HEAD SCREW M5X40 | | 3 | | | | |
| 013-2 | 643750-0 | BRUSH HOLDER CAP 7-11 | | 2 | | | | |
| 014 | B-80379 | CARBON BRUSH SET CB-303A | | 1 | | | | |
| 015 | 143584-6 | MOTOR HOUSING COMPLETE | | 1 | | | | |
| C10 | 644501-4 | BRUSH HOLDER 5X11 | | 2 | | | | |
| 016 | 593968-2 | FIELD ASS'Y 220V | | 1 | | | | |
| C10 | 654020-2 | RING TERMINAL | | 2 | | | | |
| C20 | 654501-6 | CONNECTOR P-1.25 | | 2 | | | | |
| 017-1 | 265655-0 | TAPPING SCREW 5X65 | | 2 | | | | |
| 018 | 417810-2 | BAFFLE PLATE | | 1 | | | | |
| 019 | 210046-0 | BALL BEARING 608ZZ | | 1 | | | | |
| 020 | 681644-1 | INSULATION WASHER | | 1 | | | | |
| 021 | 513873-7 | ARMATURE ASS'Y 220V | | 1 | | | | |
| D10 | | INC. 19,20,22-24 | | | | | | |
| 022 | 240053-9 | FAN 65 | | 1 | | | | |
| 023 | 267237-4 | FLAT WASHER 9 | | 1 | | | | |
| 024 | 210125-4 | BALL BEARING 629DDW | | 1 | | | | |
| 025 | 267239-0 | FLAT WASHER 7 | | 1 | | | | |
| 026 | 226552-5 | HELICAL GEAR 15 | | 1 | | | | |
| 027 | 252186-8 | HEX. NUT M6 | | 1 | | | | |
| 028 | 143583-8 | BLADE CASE COMPLETE | | 1 | | | | |
| C10 | 263002-9 | RUBBER PIN 4 | | 1 | | | | |
| 029 | 210137-7 | BALL BEARING 606ZZ | | 1 | | | | |
| 030 | 252170-3 | HEX. NUT M10-17 | | 1 | | | | |
| 031 | 227767-7 | HELICAL GEAR 34 | | 1 | | | | |
| 032 | 285025-7 | BEARING RETAINER 19-33 | | 1 | | | | |
| 033 | 211145-1 | BALL BEARING 6201ZZ | | 1 | | | | |
| 034 | 317550-1 | BEARING BOX | | 1 | | | | |
| 035 | 265497-2 | + HEX. BOLT M5X20 | | 2 | | | | |
| 036 | 324221-3 | SPINDLE | | 1 | | | | |
| 037 | 213279-6 | O RING 18 | | 1 | | | | |
| 038 | 224080-4 | INNER FLANGE 36 | | 1 | | | | |
| 039 | 224081-2 | OUTER FLANGE 36 | | 1 | | | | |

Model No.M4100 110MM CUTTER

| รายการ | รหัสอะไหล่ | รายละเอียด | การ แลกเปลี่ยน | จำนวน | New/Old | ขาย | ซื้อ | ข้อความ |
|--------|------------|---------------------------------|-------------------|-------|---------|-----|------|---------|
| 040 | 266510-9 | HEX. SOCKET HEX. BOLT M6X18 | | 1 | | | | |
| 041 | 265754-8 | THUMB SCREW M6X12 | | 1 | | | | |
| 042-1 | 253428-3 | SPRING WASHER 6 | | 1 | | | | |
| 043 | 941151-9 | FLAT WASHER 6 | | 1 | | | | |
| 044 | 165711-5 | BASE | | 1 | | | | |
| 045 | 252175-3 | HEX. NUT M5 | | 1 | | | | |
| 046-1 | 253427-5 | SPRING WASHER 5 | | 1 | | | | |
| 047 | 265056-2 | + PAN HEAD SCREW M5 | | 1 | | | | |
| A01 | 781041-2 | WRENCH 22 | | 1 | | | | |
| A02 | 783217-7 | HEX. WRENCH 5 | | 1 | | | | |
| A06 | D-05197 | DIAMOND WHEEL 105MM(SEG,DRY) | | 1 | | | | |

Please order the parts with part number.

Print Date 11/5/2020