



TH	THAILAND
----	----------

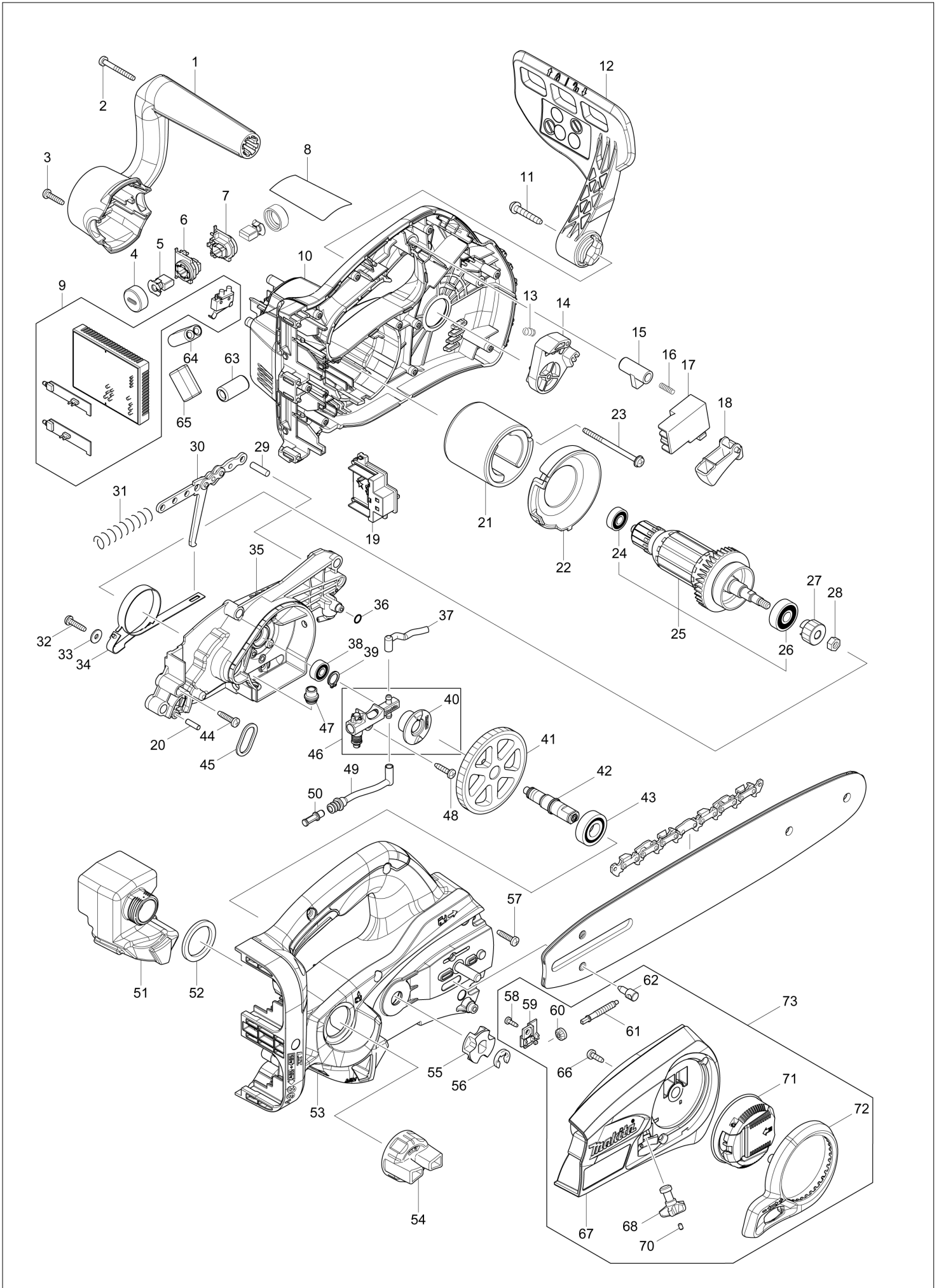
Diagram / Parts List

DUC252

250MM CORDLESS CHAIN SAW



(TH) DUC252 / 250MM CORDLESS CHAIN SAW



TH	THAILAND
----	----------

DUC252 / 250MM CORDLESS CHAIN SAW

Item	Sub	Parts No.	Parts Description	Qty	I/C	E/C No.	Close No.	Remark
001		451972-6	FRONT HANDLE	1				
002		266053-1	TAPPING SCREW 4X35	1				
003		265995-6	TAPPING SCREW 4X18	2				
004A		643941-3	BRUSH HOLDER CAP	2			Z39174	
004B		643941-3	BRUSH HOLDER CAP	2			Z39174	
004-1A		643829-7	HOLDER CAP	2	O	Z39174		
004-1B		643829-7	HOLDER CAP	2	O	Z39174		
004-1C		643829-7	HOLDER CAP	2				
005A		194928-3	CARBON BRUSH CB-442	1			Y08300	
005B		195023-2	CARBON BRUSH SET CB-442	1				
005C		195023-2	CARBON BRUSH SET CB-442	1				
005-1A		195023-2	CARBON BRUSH SET CB-442	1	<	Y08300		
006A		644514-5	BRUSH HOLDER	1			Z39174	
006B		644514-5	BRUSH HOLDER	1			Z39174	
006-1A		643538-8	BRUSH HOLDER	1	O	Z39174		
006-1B		643538-8	BRUSH HOLDER	1	O	Z39174		
006-1C		643538-8	BRUSH HOLDER	1				
007A		644513-7	BRUSH HOLDER	1			Z39174	
007B		644513-7	BRUSH HOLDER	1			Z39174	
007-1A		643537-0	BRUSH HOLDER	1	O	Z39174		
007-1B		643537-0	BRUSH HOLDER	1	O	Z39174		
007-1C		643537-0	BRUSH HOLDER	1				
008		815R26-5	DUC252 NAME PLATE	1				
009		620275-1	CONTROLLER	1			DB934	
009-1		620G61-2	CONTROLLER	1	<	DB934		
010		187882-8	HOUSING SET	1				
	C10	263005-3	RUBBER PIN 6	4				
	D10		INC. 53					
011		266173-1	TAPPING SCREW 5X30	1				
012		142574-6	FRONT HAND GUARD COMPLETE	1				
	C10	803G42-3	CAUTION LABEL	1				
013		231298-0	COMPRESSION SPRING 6	1				
014		451973-4	HAND GUARD SUPPORT	1				
015		416178-3	LOCK-OFF BUTTON	1				
016		233173-6	COMPRESSION SPRING 4	1				
017		650730-9	SWITCH TG72BD-6	1				
018		450212-9	SWITCH LEVER	1				
019		644808-8	TERMINAL	2				
020		256184-4	PIN 4	1				
021		638571-3	YOKE UNIT	1				
022		451970-0	BAFFLE PLATE	1				
023		266292-3	TAPPING SCREW 4X65	2				
024		210062-2	BALL BEARING 607ZZ	1				
025		519268-2	ARMATURE ASS'Y 36V	1				
	D10		INC. 24,26					
026		211092-6	BALL BEARING 629DDW	1				
027		227252-0	SPUR GEAR 16	1				
028		252186-8	HEX. NUT M6	1				
029		256123-4	PIN 5	1				
030		158047-9	LINK PLATE COMPLETE	1				
031		233175-2	COMPRESSION SPRING 9	1				
032A		265995-6	TAPPING SCREW 4X18	1			C1478	
032B		265995-6	TAPPING SCREW 4X18	1			C1478	
032-1A		265620-9	TAPPING SCREW FLANGE 4X18	1	S	C1478		
032-1B		265620-9	TAPPING SCREW FLANGE 4X18	1	S	C1478		
032-1C		265620-9	TAPPING SCREW FLANGE 4X18	1				
033A		267195-4	FLAT WASHER 4	1			C1478	
033B		267195-4	FLAT WASHER 4	1			C1478	
034		168321-7	BRAKE BAND	1				
035		142573-8	BEARING HOUSING COMPLETE	1				
	C10	263002-9	RUBBER PIN 4	1				
	C20	414377-1	NOZZLE	1				
036		213039-6	O RING 6	1				
037		422058-3	CONNECTOR	1				
038		210028-2	BALL BEARING 606ZZ	1				

A:DUC252RM2(H)
 B:DUC252Z(N)
 C:DUC252RT2(H)

Interchange
 O : Yes
 X : No
 < : the new part can be substituted for the current.
 > : the current part can be substituted for the new.
 S : Interchangeable as a set.

TH	THAILAND
-----------	-----------------

DUC252 / 250MM CORDLESS CHAIN SAW

Item	Sub	Parts No.	Parts Description	Qty	I/C	E/C No.	Close No.	Remark
039		961006-2	RETAINING RING S-10	1				
040		221427-3	WORM GEAR	1				
041		227251-2	SPUR GEAR 73	1				
042		326417-2	SPINDLE	1				
043A		210109-2	BALL BEARING 6001DDW	1			B4446	
043-1A		210163-6	BALL BEARING 6001DDW	1	O	B4446		
043-1B		210163-6	BALL BEARING 6001DDW	1				
043-1C		210163-6	BALL BEARING 6001DDW	1				
044		265995-6	TAPPING SCREW 4X18	3				
045		310593-2	HANGER	1				
046-1		142156-4	OIL PUMP COMPLETE	1			D4444	
046-2		142156-4	OIL PUMP COMPLETE	1	O	D4444		
047		424629-2	GROMMET	1				
048		265995-6	TAPPING SCREW 4X18	1				
049A		422057-5	CONNECTOR	1			C3896	
049B		422057-5	CONNECTOR	1			C3896	
049-1A		422313-3	CONNECTOR	1	S	C3896		
049-1B		422313-3	CONNECTOR	1	S	C3896		
049-1C		422313-3	CONNECTOR	1				
050A		450437-5	FILTER	1			C3896	
050B		450437-5	FILTER	1			C3896	
051		455121-7	OIL TANK	1				
052		424326-0	SPONGE SHEET	1				
053		187882-8	HOUSING SET	1				
	C10	263005-3	RUBBER PIN 6	4				
	D10		INC. 10					
054A		158810-0	TANK CAP COMPLETE	1			C6904	
054B		158810-0	TANK CAP COMPLETE	1			C6904	
054-1A		140L60-3	TANK CAP COMPLETE	1	O	C6904		
054-1B		140L60-3	TANK CAP COMPLETE	1	O	C6904		
054-1C		140L60-3	TANK CAP COMPLETE	1				
055		221526-1	SPROCKET	1				
056		961014-3	STOP RING E-8	1				
057		265995-6	TAPPING SCREW 4X18	9				
058		266020-6	TAPPING SCREW 4X12	1				
059		454818-5	COVER	1				
060		227496-2	STRAIGHT BEVEL GEAR 14	1				
061		326372-8	ADJUST SCREW	1				
062		326310-0	ADJUST PIN	1				
066		266020-6	TAPPING SCREW 4X12	3				
067		142571-2	SPROCKET COVER COMPLETE	1				
068		142665-3	DRIVE GEAR COMPLETE	1				
070		263002-9	RUBBER PIN 4	1				
071		142235-8	NUT COMPLETE	1				
072		454819-3	NUT COVER	1				
073		196779-0	SPROCKET COVER SET	1				
	D10		INC. 58-62,66-68,70-72					
074A		234207-8	COMPRESSION SPRING 6	1	S	C3896		
074B		234207-8	COMPRESSION SPRING 6	1	S	C3896		
074C		234207-8	COMPRESSION SPRING 6	1				
075A		452666-6	NIPPLE	1	S	C3896	DA680	
075B		452666-6	NIPPLE	1	S	C3896	DA680	
075C		452666-6	NIPPLE	1			DA680	
075-1		452666-6	NIPPLE	1	O	DA680		
A01		168408-5	GUIDE BAR 10	1			D1788	
A01-1		168408-5	GUIDE BAR 10	1	O	D1788		
A02		455284-9	GUIDE BAR CASE	1				
A03		196205-9	SAW CHAIN SET	1				
A04A		***DC18RC	DC18RC FAST CHARGER	1				
A04C		***DC18RC	DC18RC FAST CHARGER	1				
A05C		199282-0	BATTERY BL1850B SET	2			D0161	
A05-1C		199282-0	BATTERY BL1850B SET	2	<	D0161		
A05-2A		197265-4	BATTERY BL1840B SET	2			C5218	
A05-3A		197265-4	BATTERY BL1840B SET	2	O	C5218		
A06A		197820-2	SPIKE BUMPER SET	1		B5505		

A:DUC252RM2(H)
 B:DUC252Z(N)
 C:DUC252RT2(H)

Interchange
 O : Yes
 X : No
 < : the new part can be substituted for the current.
 > : the current part can be substituted for the new.
 S : Interchangeable as a set.

