



TH	THAILAND
----	----------

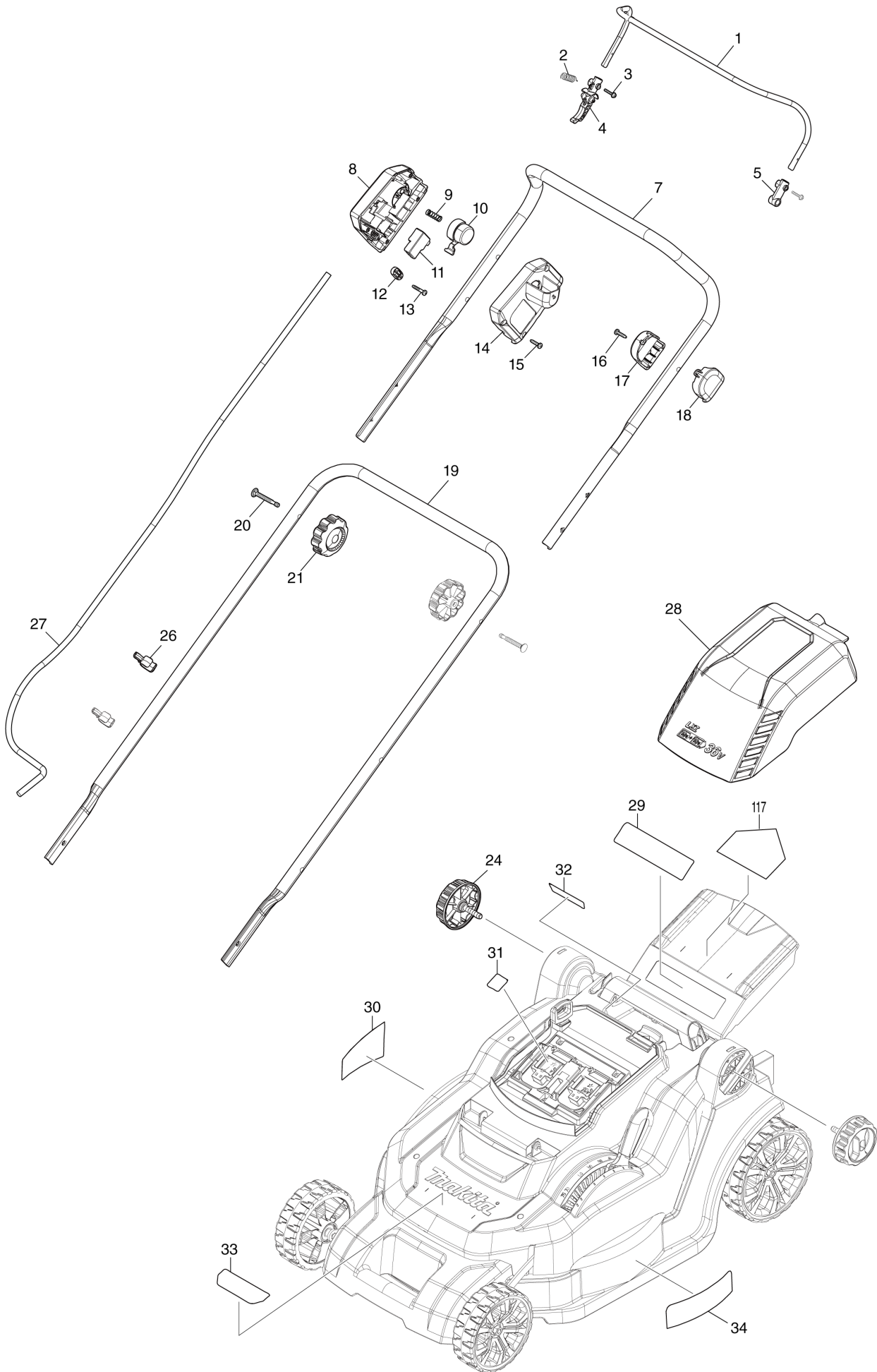
Diagram / Parts List

DLM432

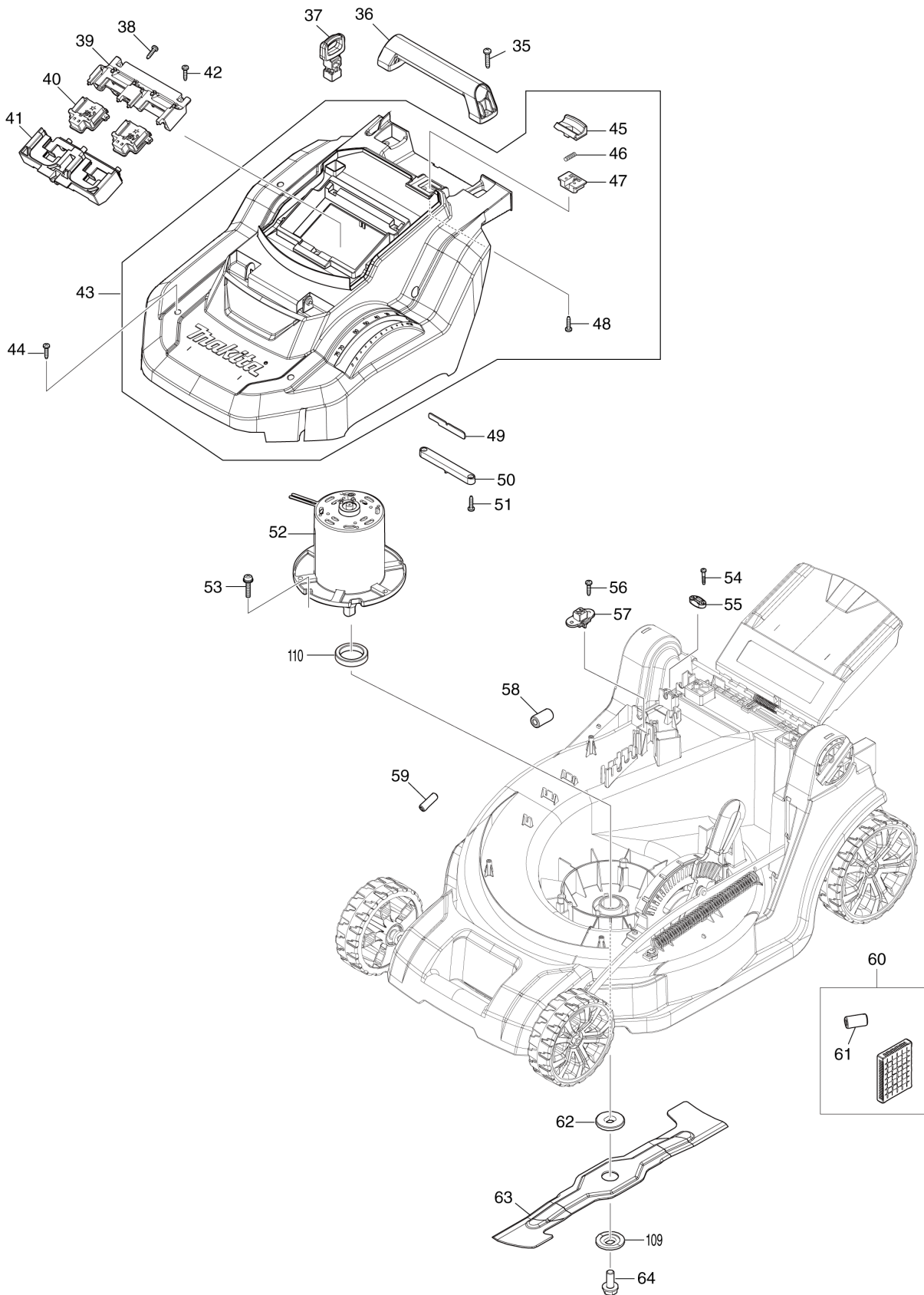
430MM CORDLESS LAWN MOWER



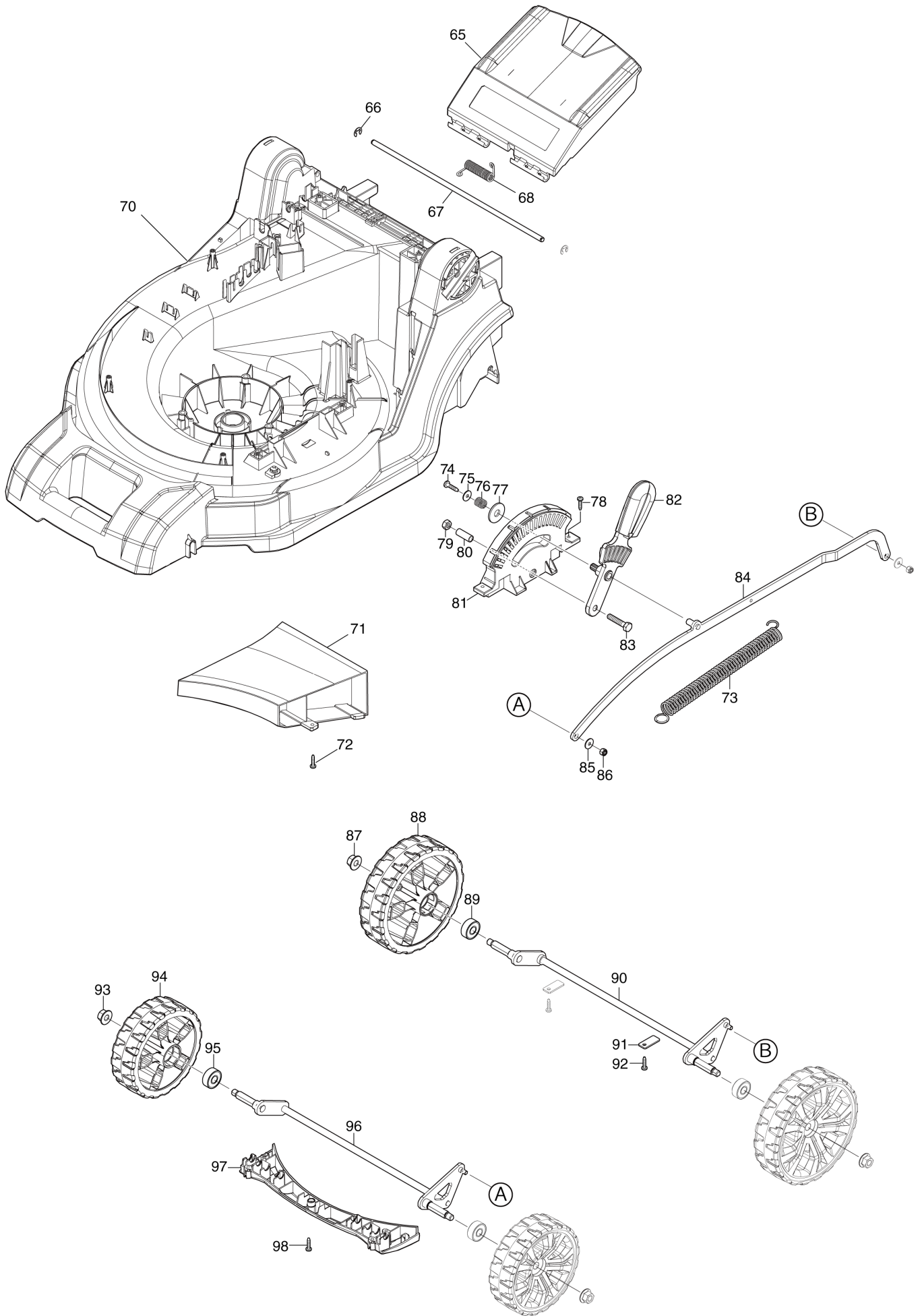
(TH) DLM432 / 430MM CORDLESS LAWN MOWER



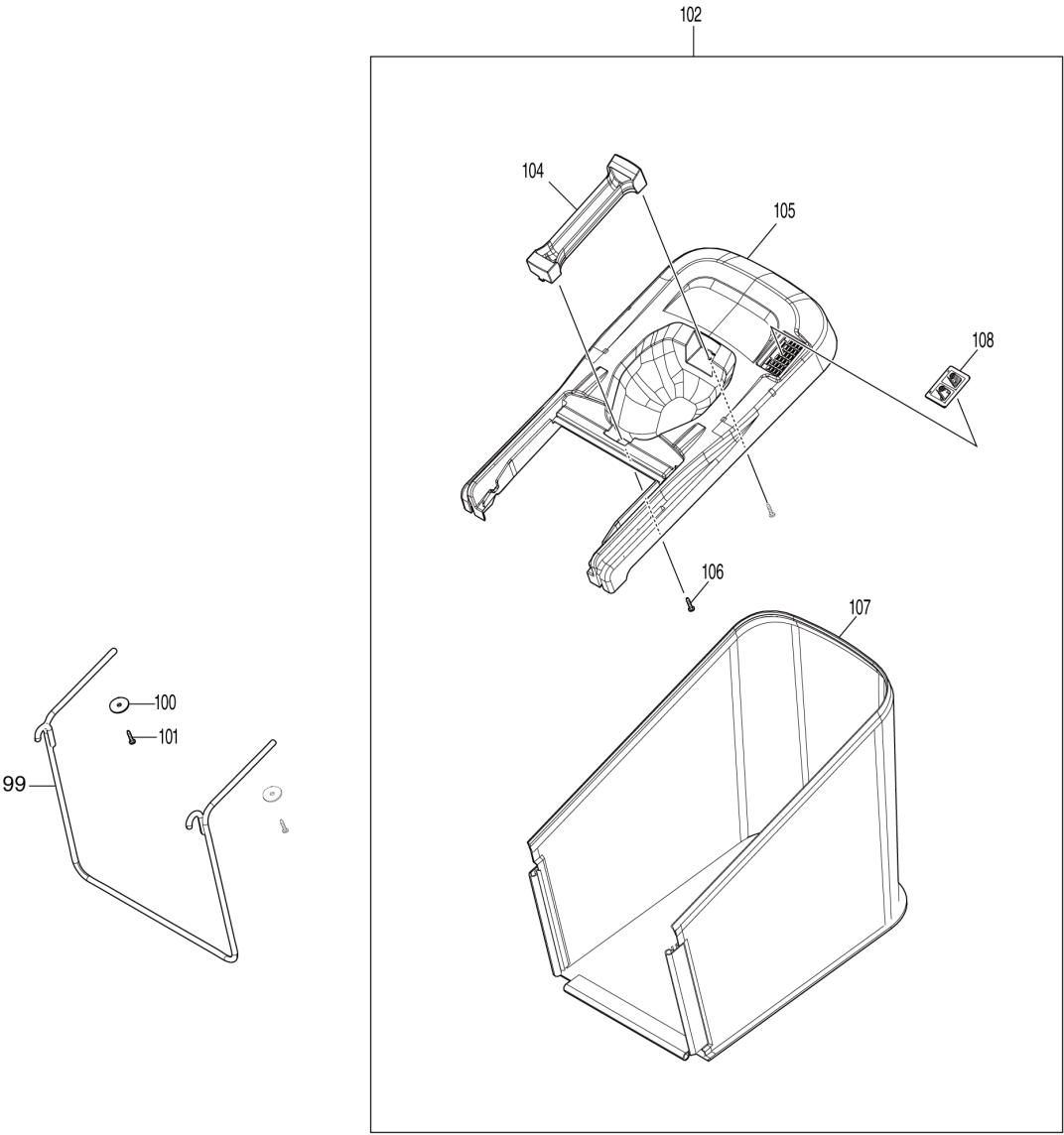
(TH) DLM432 / 430MM CORDLESS LAWN MOWER



(TH) DLM432 / 430MM CORDLESS LAWN MOWER



(TH) DLM432 / 430MM CORDLESS LAWN MOWER



TH	THAILAND
----	----------

DLM432 / 430MM CORDLESS LAWN MOWER

Item	Sub	Parts No.	Parts Description	Qty	I/C	E/C No.	Close No.	Remark
001		326636-0	SWITCH LEVER	1				
002		231876-6	TENSION SPRING 9	1				
003		911138-5	P.H.SCREW M4X20 WITH WR	2				
004		455075-8	LEVER	1				
005		455078-2	ARM	1				
007		143510-5	UPPER PIPE COMPLETE	1				
008		459804-1	SWITCH BOX	1				
009		233068-3	COMPRESSION SPRING 6	1				
010		455074-0	SWITCH BUTTON	1				
011		650730-9	SWITCH TG72BD-6	1				
012		687124-5	STRAIN RELIEF	1				
013		265999-8	TAPPING SCREW 4X25	2				
014		140N15-0	SWITCH BOX COVER COMPLETE K	1				
	C10	890374-5	INDICATION LABEL	1				
015		266326-2	TAPPING SCREW 4X18	4				
016		266326-2	TAPPING SCREW 4X18	1				
017		456352-1	SWITCH LEVER CASE COVER	1				
018		456351-3	SWITCH LEVER CASE	1				
019		326635-2	LOWER PIPE	1				
020		265A14-4	CUP H. SQUARE NECK BOLT M6X50	2				
021		264070-5	THUMB NUT M6	2				
024		266729-0	THUMB SCREW M8X35	2				
026		459809-1	HOLDER	2				
027		660393-3	POWER SUPPLY CORD	1				
028		140N21-5	BATTERY COVER COMPLETE E	1				
	C10	8005W1-7	CAUTION LABEL	1				
029		890375-3	CAUTION LABEL	1				
030		856L50-3	DLM432 NAME PLATE	1				
031		856L57-9	DLM432 SERIAL NO. LABEL	1				
032		8005W9-1	INDICATION LABEL	1				
033		8005W4-1	INDICATION LABEL	1				
034		8005W5-9	INDICATION LABEL	1				
035		266459-3	TAPPING SCREW 5X25	2				
036		273675-0	GRIP A	1				
037		643890-4	KEY	1				
038		266326-2	TAPPING SCREW 4X18	3				
039		183N35-1	TERMINAL HOUSING SET	1				
	C10	263005-3	RUBBER PIN 6	4				
	D10		INC. 41					
040		644809-6	TERMINAL	2				
041		183N35-1	TERMINAL HOUSING SET	1				
	C10	263005-3	RUBBER PIN 6	4				
	D10		INC. 39					
042		266326-2	TAPPING SCREW 4X18	3				
043		127387-6	COWLING M ASSEMBLY	1				
	D10		INC. 45-48					
044		266326-2	TAPPING SCREW 4X18	4				
045		453250-0	LOCK LEVER	1				
046		233173-6	COMPRESSION SPRING 4	1			DA533	
046-1		LC233173-6	COMPRESSION SPRING 4	1	O	DA533	DC104	
046-2		233173-6	COMPRESSION SPRING 4	1	O	DC104		
047		453251-8	LOCK LEVER SUPPORT	1				
048		266326-2	TAPPING SCREW 4X18	2				
049		620B91-3	LED CIRCUIT	1				
050		455070-8	LED COVER	1				
051		266326-2	TAPPING SCREW 4X18	2				
052		629A18-4	DC MOTOR	1		D3555		
053		266774-5	+ PAN HEAD SCREW M6X30 WITH WR	3				
054		265999-8	TAPPING SCREW 4X25	2				
055		687124-5	STRAIN RELIEF	1				
056		266326-2	TAPPING SCREW 4X18	2				
057		638946-6	LEAD UNIT	1				
060		632P20-8	CONTROLLER UNIT	1				
	C10	654208-4	RECEPTACLE	1				
062		224444-2	INNER FLANGE 40	1				

B:DLM432PT2(H)

Interchange
O : Yes
X : No
< : the new part can be substituted for the current.
> : the current part can be substituted for the new.
S : Interchangeable as a set.

TH	THAILAND
----	----------

DLM432 / 430MM CORDLESS LAWN MOWER

Item	Sub	Parts No.	Parts Description	Qty	I/C	E/C No.	Close No.	Remark
063		191D43-8	BLADE 430 SET	1				
064		266731-3	HEX. BOLT M10X25	1				
065		140S15-0	REAR FLAP COMPLETE	1				
	D10		INC. 29					
066		LC961018-5	STOP RING (EXT) E-5	2			DC104	
066-1		961018-5	STOP RING E-5	2	O	DC104		
067		259067-7	ROD 6	1				
068		LC233597-6	TORSION SPRING 8	1			DC104	
068-1		233597-6	TORSION SPRING 8	1	O	DC104		
070		459780-9	DECK	1				
	C10	346544-9	PLATE NUT M8	2				
	C20	931302-2	HEX. NUT M6	3				
071		412272-9	UNDER COVER	1				
072		266326-2	TAPPING SCREW 4X18	3				
073		LC231875-8	TENSION SPRING 16	1			DC104	
073-1		231875-8	TENSION SPRING 16	1	O	DC104		
074		266326-2	TAPPING SCREW 4X18	1				
075		LC267102A7	FLAT WASHER 4	1			DC104	
075-1		267102-7	FLAT WASHER 4	1	O	DC104		
076		LC231297-2	COMPRESSION SPRING 9	1			DC104	
076-1		231297-2	COMPRESSION SPRING 9	1	O	DC104		
077		LC253808A3	FLAT WASHER 9	1			DC104	
077-1		253808-3	FLAT WASHER 9	1	O	DC104		
078		266326-2	TAPPING SCREW 4X18	2				
079		931302-2	HEX. NUT M6	1				
080		LC257670A8	SLEEVE 6	1			DC104	
080-1		257670-8	SLEEVE 6	1	O	DC104		
081		453255-0	ADJUST PLATE	1				
082		459099-6	CHANGE LEVER	1				
083		LC921352-5	HEX.BOLT M6X30	1			DC104	
083-1		921352-5	HEX. BOLT M6X30	1	O	DC104		
084		346543-1	CONNECTING ROD	1				
085		LC941101-4	FLAT WASHER 5	2			DC104	
085-1		941101-4	FLAT WASHER 5	2	O	DC104		
086		252103-8	HEX. LOCK NUT M5-8	2				
087		LC252145-2	COLLARED HEX. NUT M8	2			DC104	
087-1		252145-2	COLLARED HEX NUT M8	2	O	DC104		
088		459101-5	REAR WHEEL	2				
089		LC210070-3	BALL BEARING 6200ZZ	2			DC104	
089-1		210070-3	BALL BEARING 6200ZZ	2	O	DC104		
090		165669-8	REAR SHAFT	1				
091		LC346545-7	PLATE	2			DC104	
091-1		346545-7	PLATE	2	O	DC104		
092		266326-2	TAPPING SCREW 4X18	2				
093		LC252145-2	COLLARED HEX. NUT M8	2			DC104	
093-1		252145-2	COLLARED HEX NUT M8	2	O	DC104		
094		459100-7	FRONT WHEEL	2				
095		LC210070-3	BALL BEARING 6200ZZ	2			DC104	
095-1		210070-3	BALL BEARING 6200ZZ	2	O	DC104		
096		165668-0	FRONT SHAFT	1				
097		456353-9	FRONT COVER	1				
098		266326-2	TAPPING SCREW 4X18	5				
099		327409-4	REAR BAG ROD	1				
100		267438-4	FLAT WASHER 5	2				
101		266326-2	TAPPING SCREW 4X18	2				
102		127386-8	REAR BAG ASSEMBLY M	1				
	D10		INC. 104-108					
104		273676-8	GRIP B	1				
105		459807-5	REAR BAG COVER	1				
106		266326-2	TAPPING SCREW 4X18	2			DD595	
106-1		265B67-9	TAPPING SCREW 4X18	2	O	DD595		
107		162680-1	REAR BAG	1				
108		459806-7	INDICATOR M	1				
109		224445-0	OUTER FLANGE 40	1				
A01		782210-8	SOCKET WRENCH 17	1				

B:DLM432PT2(H)

Interchange
O : Yes
X : No
< : the new part can be substituted for the current.
> : the current part can be substituted for the new.
S : Interchangeable as a set.

