



TH	THAILAND
----	----------

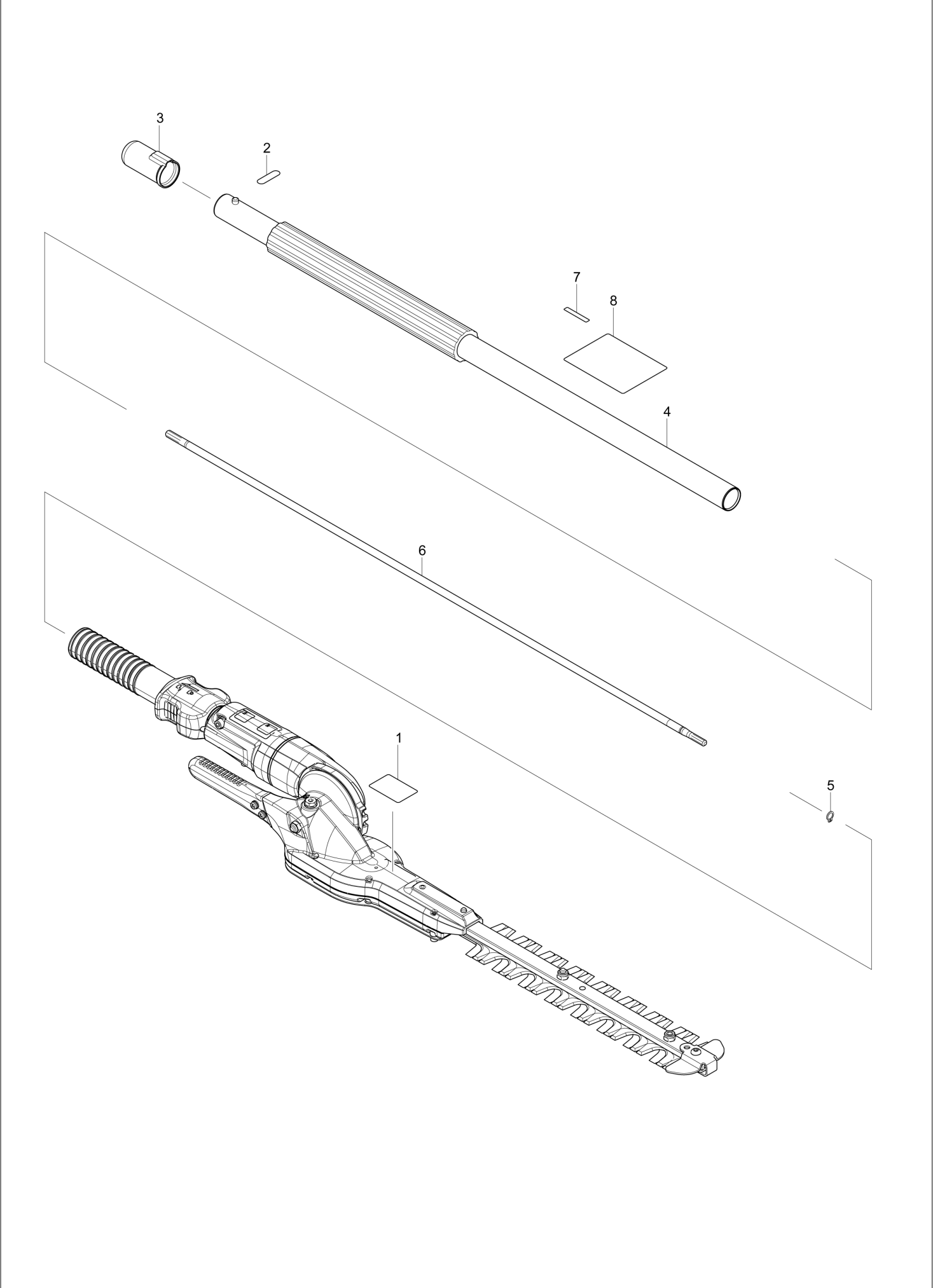
# Diagram / Parts List

**EN420MP**

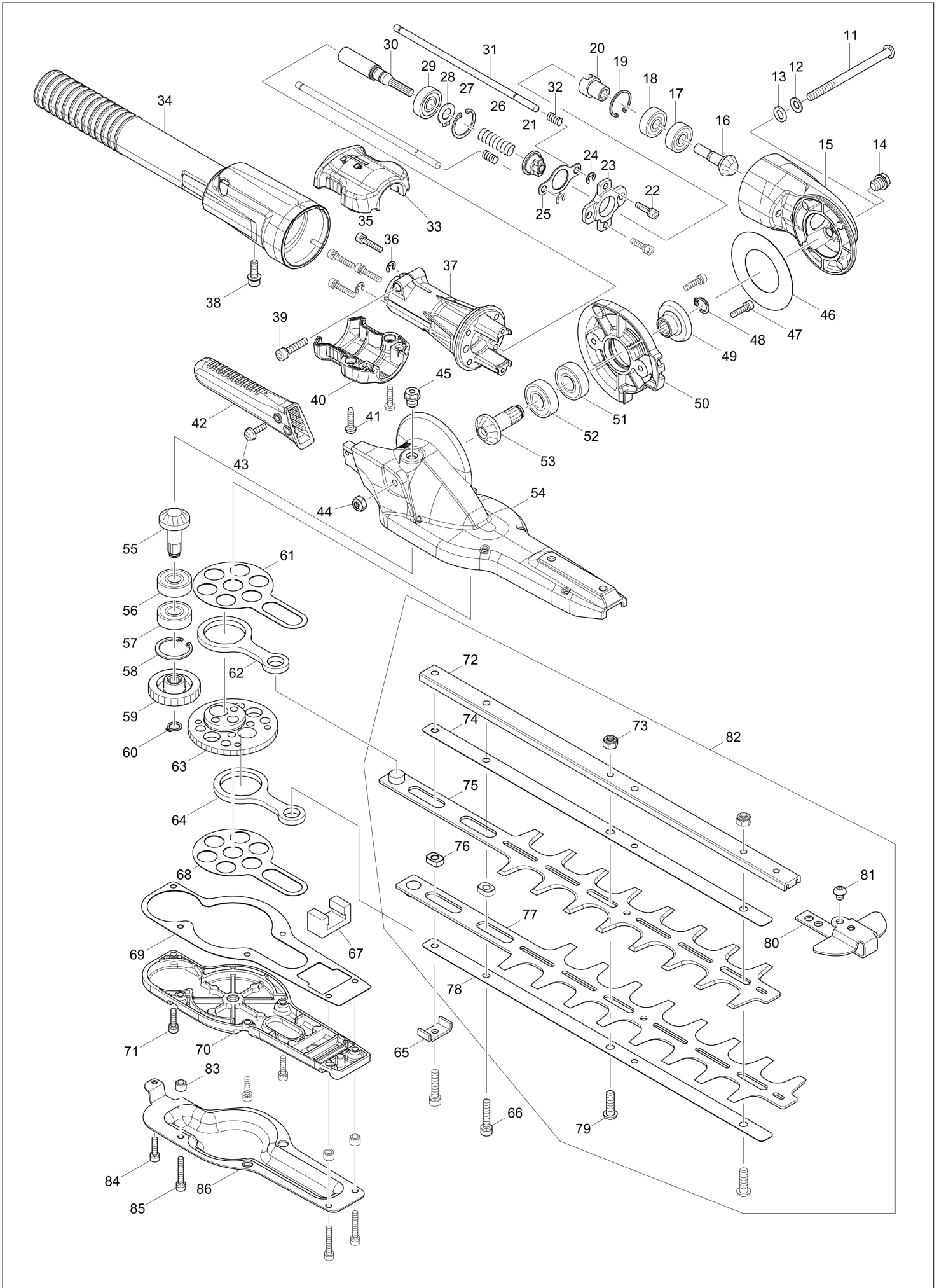
**GROUND TRIMMER ATTACHMENT**



(TH) EN420MP / GROUND TRIMMER ATTACHMENT



# (TH) EN420MP / GROUND TRIMMER ATTACHMENT



<b>TH</b>	<b>THAILAND</b>
-----------	-----------------

### EN420MP / GROUND TRIMMER ATTACHMENT

Item	Sub	Parts No.	Parts Description	Qty	I/C	E/C No.	Close No.	Remark
001		810F60-8	MAKITA LOGO LABEL	1				
002		808723-2	CAUTION LABEL	1				
003		424434-7	CAP 24	1				
004		144108-1	GRIP PIPE E COMPLETE	1				
	C10	163525-6	LEAF SPRING COMPLETE	1				
	D10		INC. 8					
005		961003-8	RETAINING RING S-7	1				
006		326798-4	SHAFT A	1				
007		814A82-0	DATE CODE LABEL	1				
008		810F49-6	CAUTION LABEL	1				
011		266817-3	H.S. BUTTON HEAD BOLT M6X85	1				
012		232279-7	CONED DISC SPRING 6	1				
013		941151-9	FLAT WASHER 6	1				
014		266818-1	HEX. SOCKET HEX. BOLT M8X8	1				
015		318969-7	JOINT	1			C0907	
015-1		140B55-6	JOINT COMPLETE	1	<	C0907	C9996	
015-2		140S18-4	JOINT COMPLETE	1	<	C9996		
016		227604-5	SPIRAL BEVEL GEAR 9	1				
017		211032-4	BALL BEARING 608ZZ	1				
018		211032-4	BALL BEARING 608ZZ	1				
019		962102-9	RETAINING RING R-22	1				
020		310534-8	CAM A	1				
021		310535-6	CAM B	1				
022		922126-7	HEX. SOCKET HEAD BOLT M4X16	2				
023		313254-3	HOLDER PLATE	1				
024		961011-9	STOP RING E-4	2				
025		346657-6	SLIDE PLATE	1				
026		231297-2	COMPRESSION SPRING 9	1				
027		962103-7	RETAINING RING R-24	1				
028		961005-4	RETAINING RING S-9	1				
029		210049-4	BALL BEARING 609ZZ	1				
030		142000-5	SPINDLE COMPLETE	1				
031		326812-6	ROD 5	2				
032		233117-6	COMPRESSION SPRING 6	2				
033		187575-7	SLIDE LEVER SET	1				
	D10		INC. 40					
034		454249-8	COVER	1				
035		265493-0	HEX. SOCKET HEAD BOLT M4X20	4				
036		961011-9	STOP RING E-4	2				
037		318970-2	PIPE HOLDER	1				
038		922223-9	H.S.H.BOLT M5X16 WITH WR	1				
039		922241-7	HEX. SOCKET HEAD BOLT M5X25	1				
040		187575-7	SLIDE LEVER SET	1				
	D10		INC. 33					
041		265995-6	TAPPING SCREW 4X18	2				
042		456369-4	GRIP	1				
043		911516-9	PAN HEAD SCREW M4X12	2				
044		252190-7	HEX.LOCK NUT M6-10	1				
045		266818-1	HEX. SOCKET HEX. BOLT M8X8	1				
046		267467-7	FLAT WASHER 36	1				
047		922126-7	HEX. SOCKET HEAD BOLT M4X16	2				
048		961006-2	RETAINING RING S-10	1				
049		227605-3	SPIRAL BEVEL GEAR 22	1				
050		310533-0	ANGULAR PLATE	1				
051		211148-5	BALL BEARING 6001ZZ	1				
052		211148-5	BALL BEARING 6001ZZ	1				
053		227606-1	SPIRAL BEVEL GEAR 11	1				
054		143500-8	GEAR HOUSING COMPLETE	1				
055		227607-9	SPIRAL BEVEL GEAR 12	1				
056		211062-5	BALL BEARING 6000ZZ	1				
057		211062-5	BALL BEARING 6000ZZ	1				
058		962105-3	RETAINING RING R-26	1				
059		227317-8	SPUR GEAR 24	1				
060		961004-6	RETAINING RING S-8	1				
061		346658-4	PLATE	1				

Interchange  
O : Yes  
X : No  
< : the new part can be substituted for the current.  
> : the current part can be substituted for the new.  
S : Interchangeable as a set.

