



TH	THAILAND
----	----------

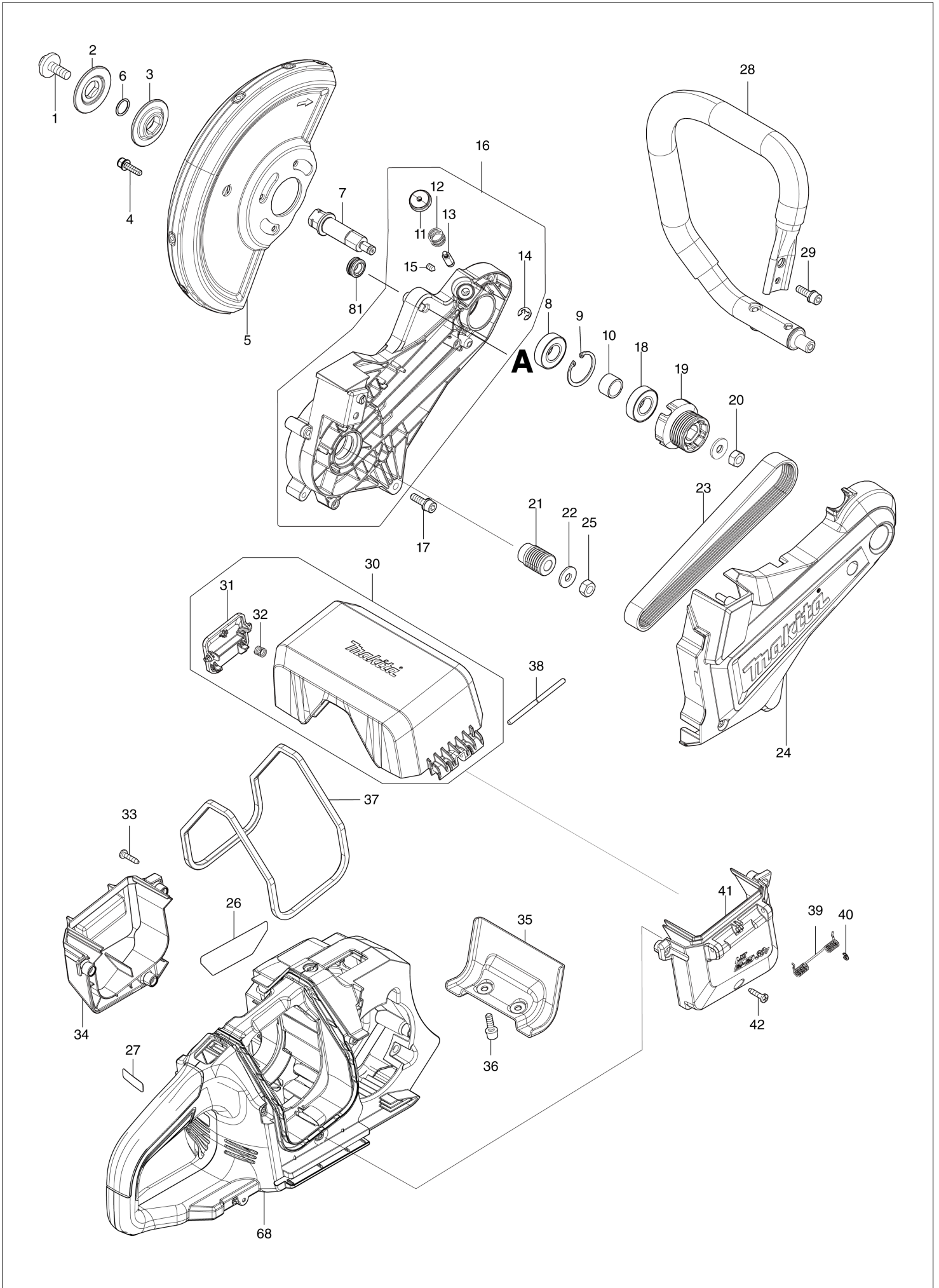
Diagram / Parts List

DCE090

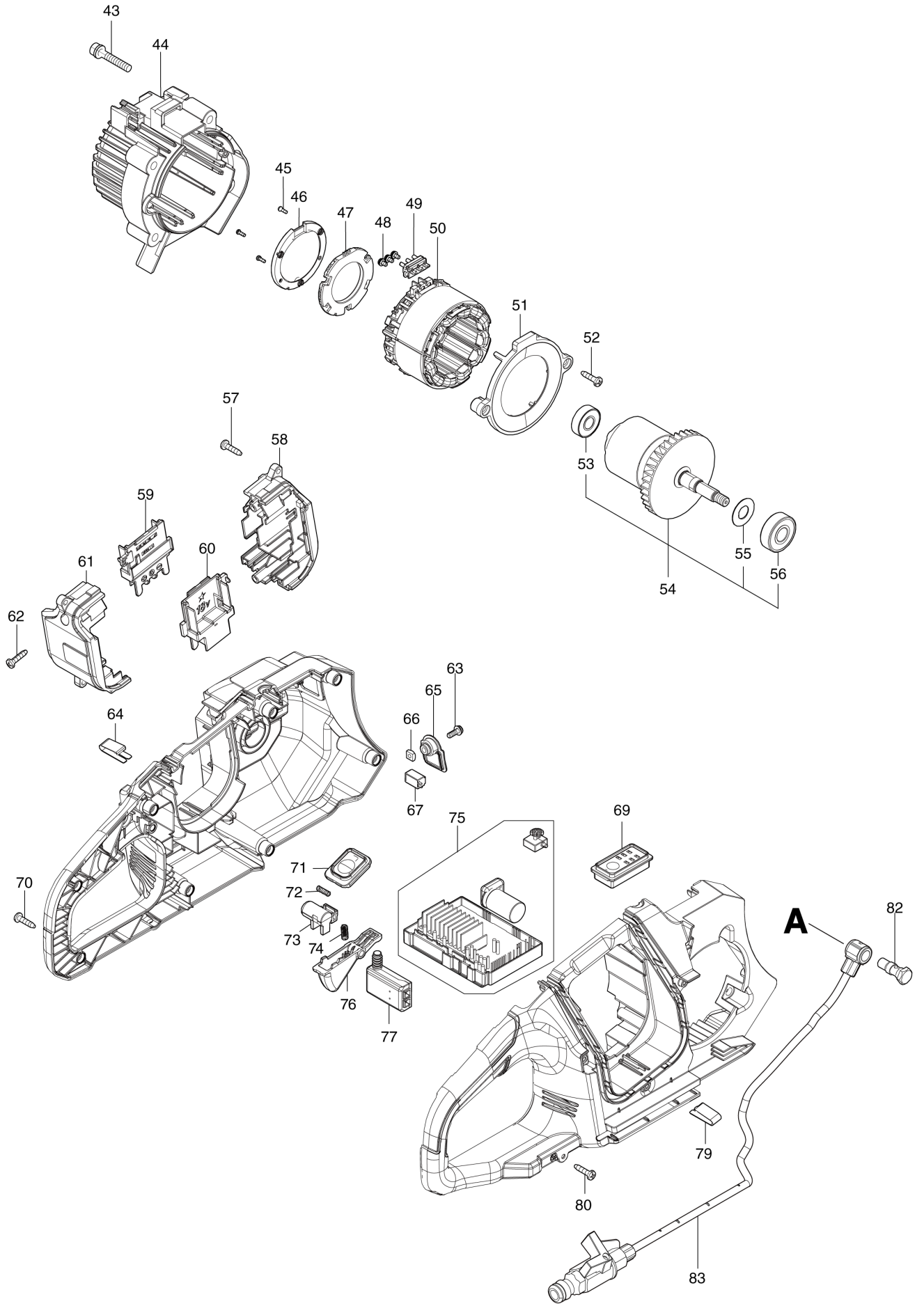
230MM CORDLESS POWER CUTTER



(TH) DCE090 / 230MM CORDLESS POWER CUTTER



(TH) DCE090 / 230MM CORDLESS POWER CUTTER



TH	THAILAND
----	----------

DCE090 / 230MM CORDLESS POWER CUTTER

Item	Sub	Parts No.	Parts Description	Qty	I/C	E/C No.	Close No.	Remark
001		266690-1	HEX. BOLT M8X25	1				
002		224604-6	OUTER FLANGE 46	1				
003		224605-4	INNER FLANGE 46	1				
004		922233-6	H.S.H.BOLT M5X20 WITH WR	3				
005		162742-5	WHEEL COVER 230	1			DA367	
005-1		162964-7	WHEEL COVER 230	1	O	DA367		
006		213162-7	O RING 14	1				
007		327532-5	SPINDLE	1				
008		211232-6	BALL BEARING 6002LLU	1				
009		962151-6	RETAINING RING R-32	1				
010		257491-8	SLEEVE 15	1				
011		451485-7	PIN CAP	1				
012		233089-5	COMPRESSION SPRING 12	1				
013		256947-8	SHOULDER PIN 7	1				
014		961012-7	STOP RING E-6	1				
015		265880-3	H.S.SET SCREW(CONE POINT)M5X8	1				
016		136250-2	CUTTING DEVICE ASSY	1				
	D10		INC. 11-15					
017		922333-2	HEX.SOCKET HD BOLT M6X20	1				
018		211232-6	BALL BEARING 6002LLU	1				
019		222197-7	V PULLEY 7-34.6	1				
020		931402-8	HEX. NUT M8	1			DB949	
020-1		931402-8	HEX. NUT M8	1	O	DB949		
021		222198-5	V PULLEY 7-20.5	1				
022		253762-1	FLAT WASHER 8	2				
023		225104-9	V BELT 7-454	1				
024		140U35-6	BELT COVER COMPLETE	1				
	C10	265B09-3	H.S. HEAD BOLT M5X30 WITH WR	3				
025		252154-1	HEX. NUT M8-13	1				
026		856Y91-7	DCE090 NAME PLATE	1				
027		856Y97-5	DCE090 SERIAL NO. LABEL	1				
028		273025-9	FRONT GRIP 26	1				
029		922333-2	HEX.SOCKET HD BOLT M6X20	1				
030		136218-8	BATTERY UPPER ASSY	1				
	D10		INC. 31,32					
031		412348-2	BATTERY COVER HOOK	1				
032		231240-1	COMPRESSION SPRING 7	1				
033		266326-2	TAPPING SCREW 4X18	3				
034		412344-0	BATTERY LOWER COVER L	1				
035		347659-5	GUIDE PLATE	1				
036		922333-2	HEX.SOCKET HD BOLT M6X20	2				
037		422566-4	BATTERY COVER SEAL	1				
038		256948-6	ROD 4	1				
039		232594-9	TORSION SPRING 5	1				
040		961017-7	STOP RING E-3	1				
041		412346-6	BATTERY LOWER COVER R	1				
042		266326-2	TAPPING SCREW 4X18	3				
043		922358-6	H.S.H.BOLT M6X35 WITH WR	4				
044		412277-9	MOTOR HOUSING	1				
045		266490-9	TAPPING SCREW PT 2X6	3				
046		687B69-9	STOPPER	1				
047		620C87-0	CONTROLLER B	1				
048		652031-1	PAN HEAD SCREW M3X6	3				
049		632P83-4	LEAD UNIT	1				
050		629492-0	STATOR	1				
051		459144-7	BAFFLE PLATE	1				
052		266326-2	TAPPING SCREW 4X18	2				
053		210059-1	BALL BEARING 6000DDW	1				
054		519629-6	ROTOR ASSY	1			DE252	
	D10		INC. 53,55,56				DE252	
054-1		519629-6	ROTOR ASSY	1	O	DE252		
	D10		INC. 53,55,56			DE252		
055		253759-0	FLAT WASHER 12	1				
056		211137-0	BALL BEARING 6201LLU	1				
057		266326-2	TAPPING SCREW 4X18	4				

Interchange
O : Yes
X : No
< : the new part can be substituted for the current.
> : the current part can be substituted for the new.
S : Interchangeable as a set.

