



TH	THAILAND
----	----------

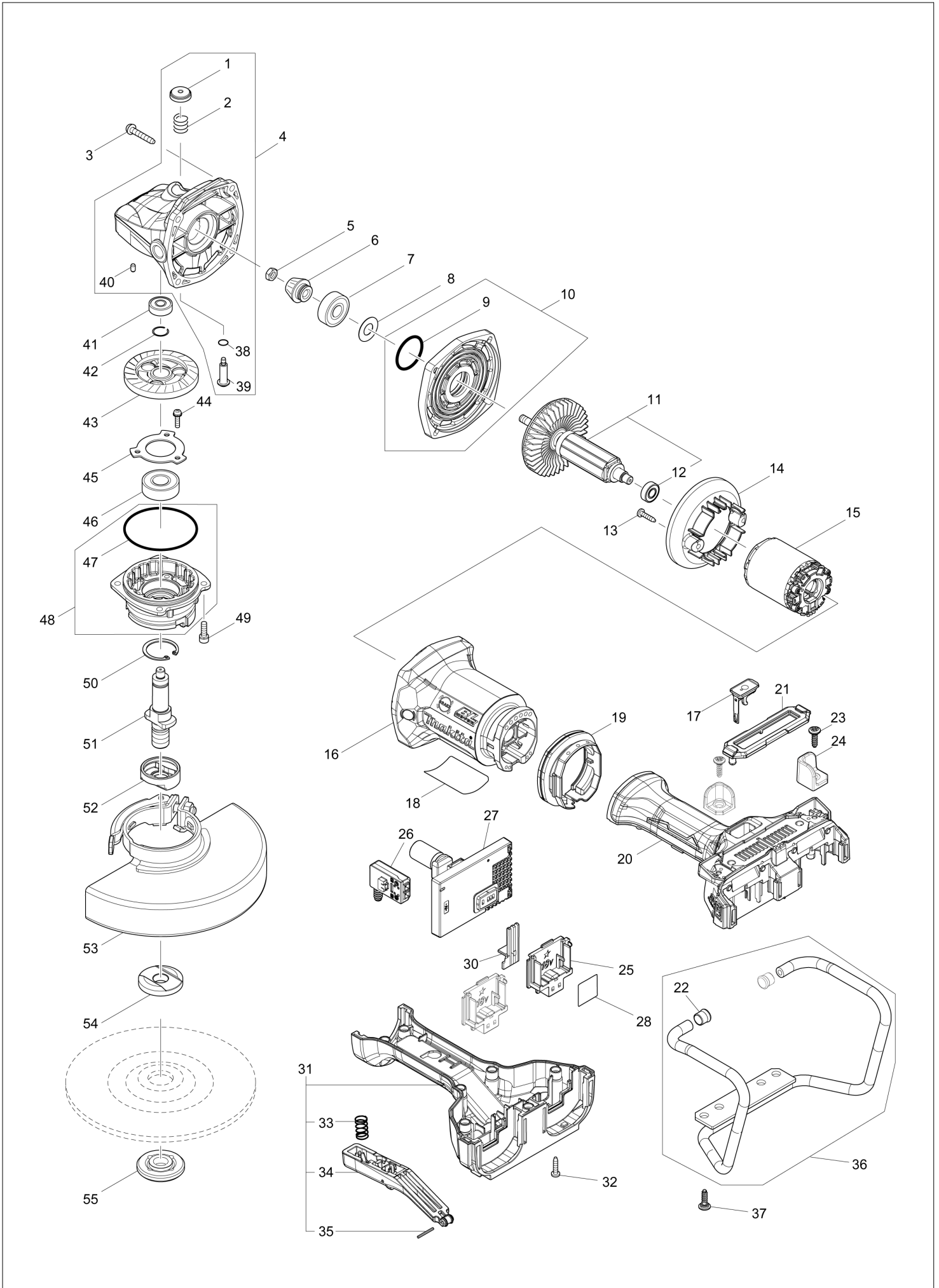
Diagram / Parts List

DGA701

180MM CORDLESS ANGLE GRINDER



(TH) DGA701 / 180MM CORDLESS ANGLE GRINDER



TH	THAILAND
----	----------

DGA701 / 180MM CORDLESS ANGLE GRINDER

Item	Sub	Parts No.	Parts Description	Qty	I/C	E/C No.	Close No.	Remark
001		451485-7	PIN CAP	1				
002		233089-5	COMPRESSION SPRING 12	1				
003		266173-1	TAPPING SCREW 5X30	4				
004		135918-7	GEAR HOUSING ASS'Y	1				
	D10		INC. 1,2,38-40					
005		264010-3	HEX.NUT M7	1				
006		227564-1	SPIRAL BEVEL GEAR 10A	1				
007		211137-0	BALL BEARING 6201LLU	1				
008		253759-0	FLAT WASHER 12	1				
009		213459-4	O RING 32	1				
010		135916-1	GEAR HOUSING COVER ASS'Y	1				
	D10		INC. 9					
011		519436-7	ROTOR ASS'Y	1			C5156	
	D10		INC. 12				C5156	
011-1		519436-7	ROTOR ASS'Y	1	O	C5156		
	D10		INC. 12			C5156		
012		211166-3	BALL BEARING 698DDW	1				
013		266326-2	TAPPING SCREW 4X18	2				
014		457618-2	BAFFLE PLATE	1				
015		629376-2	STATOR	1				
016		457615-8	MOTOR HOUSING	1				
017		140F99-0	CAP COMPLETE	1				
	C10	213218-6	O RING 16	1			DA223	
	C11	213A05-9	O-RING16	1	O	DA223		
	C20	818H07-8	CAP LABEL	1				
018		854U75-5	DGA701 NAME PLATE	1				
019		457619-0	VIBRATION PROOF RUBBER	1				
020		136022-5	HANDLE SWITCH LEVER ASS'Y	1			C8255	
	C10	263005-3	RUBBER PIN 6	4			C8255	
	D10		INC. 31,33-35				C8255	
020-1		136110-8	HANDLE SWITCH LEVER ASS'Y	1	<	C8255		
	C10	263005-3	RUBBER PIN 6	4		C8255		
	D10		INC. 31,33-35			C8255		
021		457620-5	DUST COVER	1				
022		422230-7	CAP	2				
023		251587-7	H.L.TAPPING SCREW 5X18	2				
024		327048-0	PROTECTION BLOCK	2			C5095	
024-1		347482-8	PROTECTION BLOCK	2	O	C5095		
025		644809-6	TERMINAL	2				
026		651083-9	SWITCH C3XA-1PSPM	1				
027		620987-6	CONTROLLER COMPLETE	1				
	C10	801H41-5	INDICATION LABEL	1				
028		854U82-8	DGA701 SERIAL NO. LABEL	1				
030		457621-3	LENS	1				
031		136022-5	HANDLE SWITCH LEVER ASS'Y	1			C8255	
	C10	263005-3	RUBBER PIN 6	4			C8255	
	D10		INC. 20,33-35				C8255	
031-1		136110-8	HANDLE SWITCH LEVER ASS'Y	1	<	C8255		
	C10	263005-3	RUBBER PIN 6	4		C8255		
	D10		INC. 20,33-35			C8255		
032		265999-8	TAPPING SCREW 4X25	7				
033		234357-9	COMPRESSION SPRING 11	1				
034		144584-9	SWITCH LEVER COMPLETE	1				
035		951019-1	SPRING PIN 2-20	1				
036		135919-5	GUARD PIPE ASS'Y	1				
	D10		INC. 22					
037		251587-7	H.L.TAPPING SCREW 5X18	4				
038		213026-5	O RING 7	1				
039		256516-5	SHOULDER PIN 11	1				
040		263002-9	RUBBER PIN 4	1				
041		211032-4	BALL BEARING 608ZZ	1				
042		233925-5	RING SPRING 13	1				
043		227562-5	SPIRAL BEVEL GEAR 38	1				
044		911128-8	P.H.SCREW M4X16 WITH WR	3				
045		285851-4	BEARING RETAINER	1				

B:DGA701PT2(H)

Interchange
O : Yes
X : No
< : the new part can be substituted for the current.
> : the current part can be substituted for the new.
S : Interchangeable as a set.

